

April 12, 2024

VIA ETARIFF

The Honorable Debbie-Anne A. Reese
Acting Secretary
Federal Energy Regulatory Commission
888 First Street, N.E.
Washington, DC 20426

**RE: *PacifiCorp*,
Docket No. ER24-____-000
Surplus Large Generator Interconnection Agreement (SA No. 1108)**

Dear Secretary Reese:

Pursuant to Section 205 of the Federal Power Act,¹ Part 35 of the Federal Energy Regulatory Commission’s (“Commission”) regulations,² and Order No. 714 regarding electronic filing of tariff submittals,³ PacifiCorp hereby submits two agreements for filing: (1) a Surplus Large Generator Interconnection Agreement (“SLGIA”) between PacifiCorp and Escalante BESS III LLC (“Interconnection Customer”); and (2) an Energy Displacement Agreement between PacifiCorp, Escalante BESS III LLC, and Escalante Solar III, LLC (“Existing Generating Facility Interconnection Customer”), which is an appendix to the SLGIA.⁴ The SLGIA and Energy Displacement Agreement are designated as PacifiCorp Service Agreement No. 1108 under PacifiCorp’s Volume No. 11 Open Access Transmission Tariff (“OATT”). The Parties request the Commission accept the SLGIA and Energy Displacement Agreement for filing with an effective date of April 13, 2024 (one day after filing).

1. Background

A. The Parties.

PacifiCorp is an Oregon corporation and vertically integrated utility primarily engaged in providing retail electric service to approximately 1.9 million residential, commercial, industrial, and other customers in portions of six states: California, Idaho, Oregon, Utah, Washington, and Wyoming. PacifiCorp provides electric transmission service in nine Western states, and owns or has interests in approximately 16,500 miles of transmission lines and 71 thermal, hydroelectric,

1 16 U.S.C. § 824d (2018).

2 18 C.F.R. Part 35 (2023).

3 *Elec. Tariff Filings*, Order No. 714, 124 FERC ¶ 61,270 (2008), *clarified*, Order No. 714-A, 147 FERC ¶ 61,115 (2014).

4 Individually, PacifiCorp and Escalante BESS III LLC are referred to herein as “Party” and collectively as the “Parties.”

wind-powered generating, and geothermal facilities. PacifiCorp provides transmission service in accordance with its open access transmission tariff (“OATT”), which is on file with the Commission. PacifiCorp operates two balancing authority areas: PacifiCorp East and PacifiCorp West.

Escalante BESS III LLC is a limited liability company, organized and existing under the laws of the State of Delaware. Escalante BESS III LLC is not a Qualifying Facility.

B. Existing Qualifying Facility LGIA, Request for Surplus Interconnection Service, and Evaluation.

On December 31, 2014, PacifiCorp and Escalante Solar III, LLC executed a Standard Large Generator Large Generator Interconnection Agreement for a Qualifying Facility (“QFLGIA”). The Qualifying Facility is located in the state of Utah and sells all of its output to PacifiCorp under the Public Utility Regulatory Policies Act of 1978 (“PURPA”).

The Interconnection Customer submitted a request for Surplus Interconnection Service under the QFLGIA. PacifiCorp undertook a Surplus Interconnection Service System Impact Study in accordance with its OATT process. The Surplus Interconnection Service System Impact Study demonstrated the requested Surplus Interconnection Service could be reliably implemented.

2. The SLGIA and Energy Displacement Agreement

After the issuance of the Surplus Interconnection Service System Impact Study Report, PacifiCorp tendered a draft Surplus Large Generator Interconnection Agreement, including the Energy Displacement Agreement as an appendix, to Escalante BESS III LLC. The executed SLGIA and Energy Displacement Agreement are being filed with the Commission for acceptance.

The SLGIA is based on PacifiCorp’s current *pro forma* LGIA with the modifications discussed below. The revisions are based off of revisions proposed by Public Service Company of Colorado (“PSCo”) and accepted by the Commission in Docket No. ER21-2781:⁵

- The word “Surplus” was added throughout the agreement before the words “Large Generator Interconnection Agreement,” as well as “SLGIA” in lieu of “LGIA”.
- Article 1:
 - A definition of “SLGIA Milestones” was added.
 - A definition of “Surplus Large Generator Interconnection Agreement” was added.
- Articles 2.3.1.1 and 2.3.1.2 were added.

⁵ *Pub. Serv. Co. of Colo.*, Docket No. ER21-2781-000 (Oct. 22, 2021) (delegated letter order) (referred to herein as the “October 22, 2021 Order”).

- Article 2.3.1.1 addresses cessation of Surplus Interconnection Service if the Energy Displacement Agreement is not in effect or if the Existing Generating Facility retires and/or permanently ceases Commercial Operation.
- Article 2.3.1.2 addresses the ability for Surplus Interconnection Service to continue for one year following retirement and permanent cessation of Commercial Operation of the Existing Generating Facility associated with that Surplus Interconnection Service.

Additionally, Appendix H of the SLGIA is the Energy Displacement Agreement. The Energy Displacement Agreement is similar to the energy displacement agreement that is used by PSCo,⁶ which in turn was based off the energy displacement agreement in Attachment X of the Midcontinent Independent System Operator’s Open Access Transmission Tariff.⁷ The Energy Displacement Agreement is between the Interconnection Customer requesting Surplus Interconnection Service, the Existing Generating Facility Interconnection Customer,⁸ and PacifiCorp. The purpose of the Energy Displacement Agreement is to ensure the combined simultaneous energy output of the Generating Facility and the Existing Generating Facility does not exceed the Interconnection Service limit, which is set forth in Attachment A of the Energy Displacement Agreement.

Finally, Appendix I to the SLGIA addresses a Shared Facilities Agreement between the Existing Generating Facility Interconnection Customer and the Interconnection Customer. The purpose of the Shared Facilities Agreement is to have one authorized agent and representative (defined therein as the “Manager”), as between the Existing Interconnection Customer and the Interconnection Customer, for purposes of administering the QFLGIA and SLGIA.

3. State-Jurisdictional Underlying Interconnection Agreement

PacifiCorp acknowledges that: (1) Surplus Interconnection Service culminated from Order No. 845⁹ and the *pro forma* OATT references a Large Generator Interconnection Agreement as the basis for Surplus Interconnection Service; and (2) the QFLGIA at issue in this filing are with a Qualifying Facility, which is selling its full output to PacifiCorp under PURPA, and whose interconnection agreement is therefore subject to the jurisdiction of the state of Utah.¹⁰ However, PacifiCorp respectfully requests the Commission accept this SLGIA and Energy Displacement

6 PSCo - Transmission and Service Agreements Tariff, 584-PSCo, Savion Surplus LGIA-584 (0.0.0) (accepted by the October 22, 2021 Order).

7 FERC Electric Tariff, Attachment X: Appendix 12, Energy Displacement Agreement (36.0.0).

8 The term “Existing Generating Facility Interconnection Customer” is defined in the Energy Displacement Agreement.

9 *Reform of Generator Interconnection Procs. & Agreements*, Order No. 845, 163 FERC ¶ 61,043 at P 21 (2018) (“Order No. 845”), *order on reh’g*, Order No. 845-A, 166 FERC ¶ 61,137, *order on reh’g & clarification*, Order No. 845-B, 168 FERC ¶ 61,092 (2019).

10 *See Standardization of Generator Interconnection Agreements & Procs.*, Order No. 2003, 104 FERC ¶ 61,103 at PP 813-15 (2003) (subsequent history omitted); *W. Mass. Elec. Co.*, 61 FERC ¶ 61,182 at 61,660-62 (1992), *aff’d sub nom. W. Mass. Elec. Co. v. FERC*, 165 F.3d 922 (D.C. Cir. 1999).

Agreement. Allowing Surplus Interconnection Service: (1) increases the utilization of existing interconnection facilities and network upgrades rather than requiring new ones; (2) mitigates economic barriers to the development of complementary technologies such as electric storage resources; and (3) therefore, is consistent with the purpose of Surplus Interconnection Service.¹¹ Additionally, the Commission has accepted Surplus Interconnection Service Agreements with underlying state-jurisdictional interconnection agreements.¹²

4. Effective Date and Request for Waiver

PacifiCorp requests the Commission accept the SLGIA and Energy Displacement Agreement for filing with an effective date of April 12, 2024. To permit such an effective date, PacifiCorp requests a waiver of the Commission's 60-day notice requirement set forth in 18 C.F.R. § 35.3. Waiver is appropriate because the SLGIA and Energy Displacement Agreement are being filed within 30 days of the commencement of service.¹³

To the extent that any filing requirement in Part 35 of the Commission's regulations is not satisfied by this filing and the materials enclosed herewith, PacifiCorp respectfully requests waiver of such requirements. PacifiCorp also requests waiver of the Commission's rules and regulations to the extent they would require support beyond what is included with this filing.

5. Designation

PacifiCorp requests that the SLGIA and Energy Displacement Agreement be designated as PacifiCorp Service Agreement No.1108.

6. Enclosure

In addition to this Transmittal Letter, the following enclosure is attached hereto:

- A clean version of Service Agreement No. 1108.

7. Communications

All communications and correspondence regarding this filing should be forwarded to the following persons:

11 See Order No. 845, 163 FERC ¶ 61,043 at P 467.

12 *ISO New England Inc.*, 170 FERC ¶ 61,209 at PP 87 & 107 (2020).

13 See *Prior Notice & Filing Requirements Under Part II of the Federal Power Act*, 64 FERC ¶ 61,139 at 61,983-84 (the Commission will grant waiver of the 60-day prior notice requirement "if service agreements are filed within 30 days after service commences."), *order on reh'g*, 65 FERC ¶ 61,081 (1993); see also 18 C.F.R. § 35.3(a)(2).

Matthew P. Loftus
Assistant General Counsel
PacifiCorp
825 N.E. Multnomah, Suite 2000
Portland, OR 97232
(512) 813-5620
Matthew.Loftus@PacifiCorp.com

Rick Vail
Vice President, Transmission
PacifiCorp
825 N. E. Multnomah, Suite 1600
Portland, OR 97232
(503) 813-6938
Richard.Vail@PacifiCorp.com

8. Notice

An electronic notice of this filing will be served on the state commissions in the jurisdictions where PacifiCorp operates: California Public Utilities Commission, Idaho Public Utilities Commission, Oregon Public Utility Commission, Utah Public Service Commission, Washington Utilities and Transportation Commission, Wyoming Public Service Commission, and on representatives of the Parties. A courtesy copy will be provided to the Division of Electric Power Regulation (West). In addition, a copy of this filing will be available for public inspection at PacifiCorp's office: 825 N.E. Multnomah St., Portland, OR 97232 and 1407 W North Temple, Salt Lake City, UT 84116.

9. Conclusion

For the reasons described herein, PacifiCorp respectfully requests the Commission issue an order accepting the attached SLGIA and Energy Displacement Agreement for filing with an effective date of April 13, 2024.

Respectfully submitted,



Matthew Loftus
Assistant General Counsel
PacifiCorp
825 N.E. Multnomah, Suite 2000
Portland, OR 97232
(503)-813-5620
Matthew.Loftus@PacifiCorp.com

SURPLUS LARGE GENERATOR
INTERCONNECTION AGREEMENT (SLGIA)
between
PACIFICORP
and
Escalante BESS III LLC

TABLE OF CONTENTS

RECITALS

Article 1.	Definitions
Article 2.	Effective Date, Term, and Termination
2.1	Effective Date
2.2	Term of Agreement
2.3	Termination Procedures
2.3.1	Written Notice
2.3.2	Default
2.3.3	
2.4	Termination Costs
2.4.1	
2.4.2	
2.4.3	
2.5	Disconnection
2.6	Survival
Article 3.	Regulatory Filings
3.1	Filing
Article 4.	Scope of Service
4.1	Interconnection Product Options
4.1.1	Energy Resource Interconnection Service
4.1.1.1	The Product
4.1.1.2	Transmission Delivery Service Implications
4.1.2	Network Resource Interconnection Service
4.1.2.1	The Product
4.1.2.2	Transmission Delivery Service Implications
4.2	Provision of Service
4.3	Performance Standards
4.4	No Transmission Delivery Service
4.5	Interconnection Customer Provided Services

Article 5. Interconnection Facilities Engineering, Procurement,
& Construction

- 5.1 Options
 - 5.1.1 Standard Option
 - 5.1.2 Alternate Option
 - 5.1.3 Option to Build
 - 5.1.4 Negotiated Option
- 5.2 General Conditions Applicable to Option to Build
- 5.3 Liquidated Damages
- 5.4 Power System Stabilizers
- 5.5 Equipment Procurement
 - 5.5.1
 - 5.5.2
 - 5.5.3
- 5.6 Construction Commencement
 - 5.6.1
 - 5.6.2
 - 5.6.3
 - 5.6.4
- 5.7 Work Progress
- 5.8 Information Exchange
- 5.9 Other Interconnection Options
 - 5.9.1 Limited Operation
 - 5.9.2 Provisional Interconnection Service
- 5.10 Interconnection Customer's Interconnection Facilities ('ICIF')
 - 5.10.1 Interconnection Customer's Interconnection Facility Specifications
 - 5.10.2 Transmission Provider's Review
 - 5.10.3 ICIF Construction
- 5.11 Transmission Provider's Interconnection Facilities Construction
- 5.12 Access Rights
- 5.13 Lands of Other Property Owners
- 5.14 Permits
- 5.15 Early Construction of Base Case Facilities
- 5.16 Suspension
- 5.17 Taxes
 - 5.17.1 Interconnection Customer Payments Not Taxable
 - 5.17.2 Representations and Covenants
 - 5.17.3 Indemnification for the Cost Consequences of Current Tax Liability Imposed Upon the Transmission Provider
 - 5.17.4 Tax Gross-Up Amount
 - 5.17.5 Private Letter Ruling or Change or Clarification of Law

- 5.17.6 Subsequent Taxable Events
 - 5.17.7 Contests
 - 5.17.8 Refund
 - 5.17.9 Taxes Other Than Income Taxes
 - 5.17.10 Transmission Owners Who Are Not Transmission Providers
 - 5.18 Tax Status
 - 5.19 Modification
 - 5.19.1 General
 - 5.19.2 Standards
 - 5.19.3 Modification Costs
- Article 6. Testing and Inspection
- 6.1 Pre-Commercial Operation Date Testing and Modifications
 - 6.2 Post-Commercial Operation Date Testing and Modifications
 - 6.3 Right to Observe Testing
 - 6.4 Right to Inspect
- Article 7. Metering
- 7.1 General
 - 7.2 Check Meters
 - 7.3 Standards
 - 7.4 Testing of Metering Equipment
 - 7.5 Metering Data
- Article 8. Communications
- 8.1 Interconnection Customer Obligations
 - 8.2 Remote Terminal Unit
 - 8.3 No Annexation
 - 8.4 Provision of Data from a Variable Energy Resource
- Article 9. Operations
- 9.1 General
 - 9.2 Control Area Notification
 - 9.3 Transmission Provider Obligations
 - 9.4 Interconnection Customer Obligations
 - 9.5 Start-Up and Synchronization
 - 9.6 Reactive Power and Primary Frequency Response
 - 9.6.1 Power Factor Design Criteria
 - 9.6.1.1 Synchronous Generation
 - 9.6.1.2 Non-Synchronous Generation
 - 9.6.2 Voltage Schedules
 - 9.6.2.1 Voltage Regulators
 - 9.6.3 Payment for Reactive Power
 - 9.6.4 Primary Frequency Response

- 9.6.4.1 Governor or Equivalent Controls
- 9.6.4.2 Timely and Sustained Response
- 9.6.4.3 Exemptions
- 9.6.4.4 Electric Storage Resources
- 9.7 Outages and Interruptions
 - 9.7.1 Outages
 - 9.7.1.1 Outage Authority and Coordination
 - 9.7.1.2 Outage Schedules
 - 9.7.1.3 Outage Restoration
 - 9.7.2 Interruption of Service
 - 9.7.2.1
 - 9.7.2.2
 - 9.7.2.3
 - 9.7.2.4
 - 9.7.2.5
 - 9.7.3 Under-Frequency and Over Frequency Conditions
 - 9.7.4 System Protection and Other Control Requirements
 - 9.7.4.1 System Protection Facilities
 - 9.7.4.2
 - 9.7.4.3
 - 9.7.4.4
 - 9.7.4.5
 - 9.7.4.6
 - 9.7.5 Requirements for Protection
 - 9.7.6 Power Quality
- 9.8 Switching and Tagging Rules
- 9.9 Use of Interconnection Facilities by Third Parties
 - 9.9.1 Purpose of Interconnection Facilities
 - 9.9.2 Third Party Users
- 9.10 Disturbance Analysis Data Exchange

Article 10. Maintenance

- 10.1 Transmission Provider Obligations
- 10.2 Interconnection Customer Obligations
- 10.3 Coordination
- 10.4 Secondary Systems
- 10.5 Operating and Maintenance Expenses

Article 11. Performance Obligation

- 11.1 Interconnection Customer Interconnection Facilities
- 11.2 Transmission Provider's Interconnection Facilities
- 11.3 Network Upgrades and Distribution Upgrades
- 11.4 Transmission Credits
 - 11.4.1 Repayment of Amounts Advanced for Network Upgrades

11.4.2	Special Provisions for Affected Systems
11.4.3	
11.5	Provision of Security
11.5.1	
11.5.2	
11.5.3	
11.6	Interconnection Customer Compensation
11.6.1	Interconnection Customer Compensation for Actions During Emergency Condition
Article 12.	Invoice
12.1	General
12.2	Final Invoice
12.3	Payment
12.4	Disputes
Article 13.	Emergencies
13.1	Definition
13.2	Obligations
13.3	Notice
13.4	Immediate Action
13.5	Transmission Provider Authority
13.5.1	General
13.5.2	Reduction and Disconnection
13.6	Interconnection Customer Authority
13.7	Limited Liability
Article 14.	Regulatory Requirements and Governing Law
14.1	Regulatory Requirements
14.2	Governing Law
14.2.1	
14.2.2	
14.2.3	
Article 15.	Notices
15.1	General
15.2	Billings and Payments
15.3	Alternative Forms of Notice
15.4	Operations and Maintenance Notice
Article 16.	Force Majeure
16.1	Force Majeure
16.1.1	
16.1.2	
Article 17.	Default

- 17.1 Default
 - 17.1.1 General
 - 17.1.2 Right to Terminate

Article 18. Indemnity, Consequential Damages and Insurance

- 18.1 Indemnity
 - 18.1.1 Indemnified Person
 - 18.1.2 Indemnifying Party
 - 18.1.3 Indemnity Procedures
- 18.2 Consequential Damages
- 18.3 Insurance
 - 18.3.1
 - 18.3.2
 - 18.3.3
 - 18.3.4
 - 18.3.5
 - 18.3.6
 - 18.3.7
 - 18.3.8
 - 18.3.9
 - 18.3.10
 - 18.3.11

Article 19. Assignment

- 19.1 Assignment

Article 20. Severability

- 20.1 Severability

Article 21. Comparability

- 21.1 Comparability

Article 22. Confidentiality

- 22.1 Confidentiality
 - 22.1.1 Term
 - 22.1.2 Scope
 - 22.1.3 Release of Confidential Information
 - 22.1.4 Rights
 - 22.1.5 No Warranties
 - 22.1.6 Standard of Care
 - 22.1.7 Order of Disclosure
 - 22.1.8 Termination of Agreement
 - 22.1.9 Remedies
 - 22.1.10 Disclosure to FERC, its Staff, or a State
 - 22.1.11

Article 23. Environmental Releases

23.1

Article 24. Information Requirements

24.1 Information Acquisition

24.2 Information Submission by Transmission Provider

24.3 Updated Information Submission by Interconnection
Customer

24.4 Information Supplementation

Article 25. Information Access and Audit Rights

25.1 Information Access

25.2 Reporting of Non-Force Majeure Events

25.3 Audit Rights

25.4 Audit Rights Periods

25.4.1 Audit Rights Period for Construction-Related
Accounts and Records

25.4.2 Audit Rights Period for All Other Accounts and
Records

25.5 Audit Results

Article 26. Subcontractors

26.1 General

26.2 Responsibility of Principal

26.3 No Limitation by Insurance

Article 27. Disputes

27.1 Submission

27.2 External Arbitration Procedures

27.3 Arbitration Decisions

27.4 Costs

Article 28. Representations, Warranties, and Covenants

28.1 General

28.1.1 Good Standing

28.1.2 Authority

28.1.3 No Conflict

28.1.4 Consent and Approval

Article 29. Joint Operating Committee

29.1 Joint Operating Committee

29.1.1

29.1.2

29.1.3

29.1.4

29.1.5

29.1.6

Article 30.	Miscellaneous
30.1	Binding Effect
30.2	Conflicts
30.3	Rules of Interpretation
30.4	Entire Agreement
30.5	No Third Party Beneficiaries
30.6	Waiver
30.7	Headings
30.8	Multiple Counterparts
30.9	Amendment
30.10	Modification by the Parties
30.11	Reservation of Rights
30.12	No Partnership

Appendix A - Interconnection Facilities, Network Upgrades, Distribution Upgrades and Contingent Facilities

Appendix B - Milestones

Appendix C - Interconnection Details

Appendix D - Security Arrangements Details

Appendix E - Commercial Operation Date

Appendix F - Addresses for Delivery of Notices and Billings

Appendix G - Interconnection Requirements for a Wind Generating Plant

Appendix H - Energy Displacement Agreement

Appendix I - Shared Facilities Agreement

SURPLUS LARGE GENERATOR INTERCONNECTION AGREEMENT

THIS SURPLUS LARGE GENERATOR INTERCONNECTION AGREEMENT ("Agreement") is made and entered into this 25th day of March, 2024 by and between Escalante BESS III LLC (S0009 [Q0551]), a limited liability company organized and existing under the laws of the State of Delaware ("Interconnection Customer" with a Large Generating Facility), and PacifiCorp a corporation organized and existing under the laws of the State of Oregon ("Transmission Provider and/or Transmission Owner"). Interconnection Customer and Transmission Provider each may be referred to as a "Party" or collectively as the "Parties."

Recitals

WHEREAS, Transmission Provider operates the Transmission System; and

WHEREAS, Transmission Provider and Escalante Solar III, LLC ("Original Interconnection Customer") entered into a Standard Large Generator Interconnection Agreement for a Qualifying Facility, which was based on the then effective Large Generator Interconnection Agreement for PacifiCorp, dated December 31, 2014 (the "Original QFLGIA"), and subsequently amended on: June 3, 2015; August 26, 2015; March 9, 2017; and March 29, 2022;

WHEREAS, Interconnection Customer intends to own, lease and/or control and operate a Surplus Interconnection Service Generating Facility identified as a Large Generating Facility in Appendix C to this Agreement; and,

WHEREAS, Interconnection Customer requested Surplus Interconnection Service for its Large Generating Facility under the Original QFLGIA;

WHEREAS, Interconnection Customer requested Transmission Provider to evaluate the requirements for Surplus Interconnection Service, dated March 23, 2022;

WHEREAS, Transmission Provider provided a Surplus Interconnection Service Study, dated February 1, 2023, detailing the requirements to meet Interconnection Customer's Surplus Interconnection Service Request; and

WHEREAS, Interconnection Customer and Transmission Provider have agreed to enter into this Agreement for the purpose of

interconnecting the Large Generating Facility with the Transmission System;

NOW, THEREFORE, in consideration of and subject to the mutual covenants contained herein, it is agreed:

When used in this Surplus Large Generator Interconnection Agreement, terms with initial capitalization that are not defined in Article 1 shall have the meanings specified in the Article in which they are used or the Open Access Transmission Tariff (Tariff).

Article 1. Definitions

Adverse System Impact shall mean the negative effects due to technical or operational limits on conductors or equipment being exceeded that may compromise the safety and reliability of the electric system.

Affected System shall mean an electric system other than the Transmission Provider's Transmission System that may be affected by the proposed interconnection.

Affected System Operator shall mean the entity that operates an Affected System.

Affiliate shall mean, with respect to a corporation, partnership or other entity, each such other corporation, partnership or other entity that directly or indirectly, through one or more intermediaries, controls, is controlled by, or is under common control with, such corporation, partnership or other entity.

Ancillary Services shall mean those services that are necessary to support the transmission of capacity and energy from resources to loads while maintaining reliable operation of the Transmission Provider's Transmission System in accordance with Good Utility Practice.

Applicable Laws and Regulations shall mean all duly promulgated applicable federal, state and local laws, regulations, rules, ordinances, codes, decrees, judgments, directives, or judicial or administrative orders, permits and other duly authorized actions of any Governmental Authority.

Applicable Reliability Council shall mean the reliability council applicable to the Transmission System to which the

Generating Facility is directly interconnected.

Applicable Reliability Standards shall mean the requirements and guidelines of NERC, the Applicable Reliability Council, and the Control Area of the Transmission System to which the Generating Facility is directly interconnected.

Base Case shall mean the base case power flow, short circuit, and stability data bases used for the Interconnection Studies by the Transmission Provider or Interconnection Customer.

Breach shall mean the failure of a Party to perform or observe any material term or condition of the Standard Large Generator Interconnection Agreement.

Breaching Party shall mean a Party that is in Breach of the Standard Large Generator Interconnection Agreement.

Business Day shall mean Monday through Friday, excluding Federal Holidays.

Calendar Day shall mean any day including Saturday, Sunday or a Federal Holiday.

Cluster shall mean a group of Interconnection Requests (one or more) that are studied together for the purpose of conducting the Cluster Study.

Cluster Area shall mean the areas of the Transmission Provider's Transmission System that are included together in a Cluster, as described further in Section 42.4 of the LGIP.

Cluster Request Window shall have the meaning set forth in Section 39.2.1 of the LGIP.

Cluster Re-Study shall mean a restudy of a Cluster Study conducted pursuant to Section 42.4 of the LGIP.

Cluster Re-Study Report shall mean the report issued following completion of a Cluster Re-Study pursuant to Section 42.4 of the LGIP.

Cluster Re-Study Meeting shall mean the meeting held to discuss the results of a Cluster Re-Study pursuant to Section 42.4 of the LGIP.

Cluster Study shall mean an Interconnection Study evaluating one or more Interconnection Requests within a Cluster as described in more detail in Section 42.4 of the LGIP.

Cluster Study Agreement shall mean the form of agreement contained in Appendix 3 to the Standard Large Generator Interconnection Procedures for conducting the Cluster Study.

Cluster Study Report shall mean the report issued following completion of a Cluster Study pursuant to Section 42.4 of the LGIP.

Cluster Study Report Meeting shall mean the meeting held to discuss the results of a Cluster Study pursuant to Section 42.4 of the LGIP.

Clustering shall mean the process whereby a group of Interconnection Requests is studied together, instead of serially, as described in more detail in Section 42 of the LGIP.

Commercial Operation shall mean the status of a Generating Facility, or Replacement Generating Facility, that has commenced generating electricity for sale, excluding electricity generated during Trial Operation.

Commercial Operation Date of a unit shall mean the date on which the Generating Facility, or Replacement Generating Facility, commences Commercial Operation as agreed to by the Parties pursuant to Appendix E to the Standard Large Generator Interconnection Agreement.

Confidential Information shall mean any confidential, proprietary or trade secret information of a plan, specification, pattern, procedure, design, device, list, concept, policy or compilation relating to the present or planned business of a Party, which is designated as confidential by the Party supplying the information, whether conveyed orally, electronically, in writing, through inspection, or otherwise.

Control Area shall mean an electrical system or systems bounded by interconnection metering and telemetry, capable of controlling generation to maintain its interchange schedule with other Control Areas and contributing to frequency regulation of the interconnection. A Control Area must be certified by the Applicable Reliability Council.

Customer Engagement Window shall have the meaning set forth

in Section 42.2 of the LGIP.

Default shall mean the failure of a Breaching Party to cure its Breach in accordance with Article 17 of the Standard Large Generator Interconnection Agreement.

Dispute Resolution shall mean the procedure for resolution of a dispute between the Parties in which they will first attempt to resolve the dispute on an informal basis.

Distribution System shall mean the Transmission Provider's facilities and equipment used to transmit electricity to ultimate usage points such as homes and industries directly from nearby generators or from interchanges with higher voltage transmission networks which transport bulk power over longer distances. The voltage levels at which distribution systems operate differ among areas.

Distribution Upgrades shall mean the additions, modifications, and upgrades to the Transmission Provider's Distribution System at or beyond the Point of Interconnection to facilitate interconnection of the Generating Facility and render the transmission service necessary to effect Interconnection Customer's wholesale sale of electricity in interstate commerce. Distribution Upgrades do not include Interconnection Facilities.

Effective Date shall mean the date on which the Standard Large Generator Interconnection Agreement becomes effective upon execution by the Parties subject to acceptance by FERC, or if filed unexecuted, upon the date specified by FERC.

Emergency Condition shall mean a condition or situation: (1) that in the judgment of the Party making the claim is imminently likely to endanger life or property; or (2) that, in the case of a Transmission Provider, is imminently likely (as determined in a non-discriminatory manner) to cause a material adverse effect on the security of, or damage to Transmission Provider's Transmission System, Transmission Provider's Interconnection Facilities or the electric systems of others to which the Transmission Provider's Transmission System is directly connected; or (3) that, in the case of Interconnection Customer, is imminently likely (as determined in a non-discriminatory manner) to cause a material adverse effect on the security of, or damage to, the Generating Facility or Interconnection Customer's Interconnection Facilities. System restoration and black start shall be considered Emergency Conditions; provided, that Interconnection Customer is not

obligated by the Standard Large Generator Interconnection Agreement to possess black start capability.

Energy Resource Interconnection Service shall mean an Interconnection Service that allows the Interconnection Customer to connect its Generating Facility to the Transmission Provider's Transmission System to be eligible to deliver the Generating Facility's electric output using the existing firm or nonfirm capacity of the Transmission Provider's Transmission System on an as available basis. Energy Resource Interconnection Service in and of itself does not convey transmission service.

Engineering & Procurement (E&P) Agreement shall mean an agreement that authorizes the Transmission Provider to begin engineering and procurement of long lead-time items necessary for the establishment of the interconnection in order to advance the implementation of the Interconnection Request.

Environmental Law shall mean Applicable Laws or Regulations relating to pollution or protection of the environment or natural resources.

Existing Generation Facility shall mean a Generating Facility that is either in service or under construction with an unsuspended interconnection agreement.

Federal Power Act shall mean the Federal Power Act, as amended, 16 U.S.C. §§ 791a et seq.

FERC shall mean the Federal Energy Regulatory Commission (Commission) or its successor.

Financial Security shall mean any of the forms of collateral or security listed in Section 2 of the Creditworthiness Procedures included in Attachment L to this Tariff.

Force Majeure shall mean any act of God, labor disturbance, act of the public enemy, war, insurrection, riot, fire, storm or flood, explosion, breakage or accident to machinery or equipment, any order, regulation or restriction imposed by governmental, military or lawfully established civilian authorities, or any other cause beyond a Party's control. A Force Majeure event does not include acts of negligence or intentional wrongdoing by the Party claiming Force Majeure.

Generating Facility shall mean Interconnection Customer's device for the production and/or storage for later injection of electricity identified in the Interconnection Request, but shall not include the Interconnection Customer's Interconnection Facilities. A Generating Facility consists of one or more generating unit(s) and/or storage device(s) which can operate independently and be brought online or taken offline individually.

Generating Facility Capacity shall mean the net capacity of the Generating Facility and the aggregate net capacity of the Generating Facility where it includes multiple energy production devices.

Generating Facility Modification shall mean modification to an Existing Generating Facility, including comparable replacement of only a portion of its equipment at the Existing Generating Facility.

Generation Replacement shall mean replacement of one or more generating units or storage devices at the same electrical Point of Interconnection as those being decommissioned and electrically disconnected.

Generator Replacement Interconnection Facilities Study shall mean a study to determine a list of facilities to grant an Interconnection Customer's request to interconnect a Replacement Generating Facility, the cost those facilities, and the time required to interconnect those facilities. The scope of the study is defined in Section 45.7 of the Standard Large Generator Interconnection Procedures.

Good Utility Practice shall mean any of the practices, methods and acts engaged in or approved by a significant portion of the electric industry during the relevant time period, or any of the practices, methods and acts which, in the exercise of reasonable judgment in light of the facts known at the time the decision was made, could have been expected to accomplish the desired result at a reasonable cost consistent with good business practices, reliability, safety and expedition. Good Utility Practice is not intended to be limited to the optimum practice, method, or act to the exclusion of all others, but rather to be acceptable practices, methods, or acts generally accepted in the region.

Governmental Authority shall mean any federal, state, local or other governmental regulatory or administrative agency,

court, commission, department, board, or other governmental subdivision, legislature, rulemaking board, tribunal, or other governmental authority having jurisdiction over the Parties, their respective facilities, or the respective services they provide, and exercising or entitled to exercise any administrative, executive, police, or taxing authority or power; provided, however, that such term does not include Interconnection Customer, Transmission Provider, or any Affiliate thereof.

Hazardous Substances shall mean any chemicals, materials or substances defined as or included in the definition of "hazardous substances," "hazardous wastes," "hazardous materials," "hazardous constituents," "restricted hazardous materials," "extremely hazardous substances," "toxic substances," "radioactive substances," "contaminants," "pollutants," "toxic pollutants" or words of similar meaning and regulatory effect under any applicable Environmental Law, or any other chemical, material or substance, exposure to which is prohibited, limited or regulated by any applicable Environmental Law.

Informational Interconnection Study shall mean an analysis based on assumptions specified by Interconnection Customer in the Informational Interconnection Study Agreement and conducted pursuant to Section 41 of the LGIP.

Informational Interconnection Study Agreement shall mean the form of agreement contained in Appendix 2A to the Standard Large Generator Interconnection Procedures for conducting the Informational Interconnection Study.

Informational Interconnection Study Request shall mean an Interconnection Customer's request in the form of Appendix 2 to the Standard Large Generator Interconnection Procedures.

Initial Synchronization Date shall mean the date upon which the Generating Facility is initially synchronized and upon which Trial Operation begins.

In-Service Date shall mean the date upon which the Interconnection Customer reasonably expects it will be ready to begin use of the Transmission Provider's Interconnection Facilities to obtain back feed power.

Interconnection Customer shall mean any entity, including the Transmission Provider, Transmission Owner or any of the

Affiliates or subsidiaries of either, that proposes to interconnect its Generating Facility with the Transmission Provider's Transmission System. For purposes of the Transmission Provider's Cluster Study process conducted pursuant to Section 42, and except as modified by Section 51 of Transmission Provider's OATT, "Interconnection Customer" shall also mean any Small Generating Facility that is participating in a Cluster.

Interconnection Customer's Interconnection Facilities shall mean all facilities and equipment, as identified in Appendix A of the Standard Large Generator Interconnection Agreement, that are located between the Generating Facility and the Point of Change of Ownership, including any modification, addition, or upgrades to such facilities and equipment necessary to physically and electrically interconnect the Generating Facility to the Transmission Provider's Transmission System. Interconnection Customer's Interconnection Facilities are sole use facilities.

Interconnection Facilities shall mean the Transmission Provider's Interconnection Facilities and the Interconnection Customer's Interconnection Facilities. Collectively, Interconnection Facilities include all facilities and equipment between the Generating Facility and the Point of Interconnection, including any modification, additions or upgrades that are necessary to physically and electrically interconnect the Generating Facility to the Transmission Provider's Transmission System. Interconnection Facilities are sole use facilities and shall not include Distribution Upgrades, Stand Alone Network Upgrades or Network Upgrades. Interconnection Facilities may be shared by more than one Generating Facility in a Cluster.

Interconnection Facilities Study shall mean a study conducted by the Transmission Provider or a third party consultant for the Interconnection Customer to determine a list of facilities (including Transmission Provider's Interconnection Facilities and Network Upgrades as identified in the Interconnection System Impact Study), the cost of those facilities, and the time required to interconnect the Generating Facility or Replacement Generating Facility with the Transmission Provider's Transmission System. The scope of the study is defined in Section 43 of the Standard Large Generator Interconnection Procedures.

Interconnection Facilities Study Agreement shall mean the form of agreement contained in Appendix 4 of the Standard Large

Generator Interconnection Procedures for conducting the Interconnection Facilities Study.

Interconnection Request shall mean an Interconnection Customer's request, in the form of Appendix 1 to the Standard Large Generator Interconnection Procedures, in accordance with the Tariff, to interconnect a new Generating Facility, or to increase the capacity of, or make a Material Modification to the operating characteristics of, an existing Generating Facility that is interconnected with the Transmission Provider's Transmission System. For purposes of the Transmission Provider's Cluster Study process conducted pursuant to Section 42, and except as modified by Section 51 of Transmission Provider's OATT, "Interconnection Request" shall also mean any interconnection request from a Small Generating Facility that is participating in a Cluster.

Interconnection Service shall mean the service provided by the Transmission Provider associated with interconnecting the Interconnection Customer's Generating Facility to the Transmission Provider's Transmission System and enabling it to receive electric energy and capacity from the Generating Facility at the Point of Interconnection, pursuant to the terms of the Standard Large Generator Interconnection Agreement and, if applicable, the Transmission Provider's Tariff.

Interconnection Study shall mean any of the following studies: the Replacement Impact Study, the Reliability Assessment Study, Generator Replacement Interconnection Facilities Study, the Informational Interconnection Study, the Cluster Study, Surplus Interconnection Service System Impact Study, and the Interconnection Facilities Study described in the Standard Large Generator Interconnection Procedures.

IRS shall mean the Internal Revenue Service.

Joint Operating Committee shall be a group made up of representatives from Interconnection Customers and the Transmission Provider to coordinate operating and technical considerations of Interconnection Service.

Large Generating Facility shall mean a Generating Facility having a Generating Facility Capacity of more than 20 MW.

Loss shall mean any and all losses relating to injury to or death of any person or damage to property, demand, suits, recoveries, costs and expenses, court costs, attorney fees, and

all other obligations by or to third parties, arising out of or resulting from the other Party's performance, or non-performance of its obligations under the Standard Large Generator Interconnection Agreement on behalf of the indemnifying Party, except in cases of gross negligence or intentional wrongdoing by the indemnifying Party.

Material Modification shall mean: (1) modification to an Interconnection Request in the queue that has a material impact on the cost or timing of any other Interconnection Request with a later queue priority date; or (2) planned modification to an Existing Generating Facility that is undergoing evaluation for a Generating Facility Modification or Generation Replacement, and has a material impact on the Transmission System, as compared to the impacts of the Existing Generating Facility prior to the modification or replacement with respect to: i) steady-state thermal or voltage limits, ii) dynamic system stability and response, or iii) short-circuit capability limit .

Metering Equipment shall mean all metering equipment installed or to be installed at the Generating Facility pursuant to the Standard Large Generator Interconnection Agreement at the metering points, including but not limited to instrument transformers, MWh-meters, data acquisition equipment, transducers, remote terminal unit, communications equipment, phone lines, and fiber optics.

NERC shall mean the North American Electric Reliability Council or its successor organization.

Network Resource shall mean any designated generating resource owned, purchased, or leased by a Network Customer under the Network Integration Transmission Service Tariff. Network Resources do not include any resource, or any portion thereof, that is committed for sale to third parties or otherwise cannot be called upon to meet the Network Customer's Network Load on a non-interruptible basis.

Network Resource Interconnection Service shall mean an Interconnection Service that allows the Interconnection Customer to integrate its Large Generating Facility with the Transmission Provider's Transmission System (1) in a manner comparable to that in which the Transmission Provider integrates its generating facilities to serve native load customers; or (2) in an RTO or ISO with market based congestion management, in the same manner as Network Resources. Network Resource Interconnection Service in and of itself does not convey

transmission service.

Network Upgrades shall mean the additions, modifications, and upgrades to the Transmission Provider's Transmission System required at or beyond the point at which the Interconnection Facilities connect to the Transmission Provider's Transmission System to accommodate the interconnection of the Large Generating Facility to the Transmission Provider's Transmission System.

Notice of Dispute shall mean a written notice of a dispute or claim that arises out of or in connection with the Standard Large Generator Interconnection Agreement or its performance.

Party or Parties shall mean Transmission Provider, Transmission Owner, Interconnection Customer or any combination of the above.

Point of Change of Ownership shall mean the point, as set forth in Appendix A to the Standard Large Generator Interconnection Agreement, where the Interconnection Customer's Interconnection Facilities connect to the Transmission Provider's Interconnection Facilities.

Point of Interconnection shall mean the point, as set forth in Appendix A to the Standard Large Generator Interconnection Agreement, where the Interconnection Facilities connect to the Transmission Provider's Transmission System.

Provisional Interconnection Service shall mean Interconnection Service provided by Transmission Provider associated with interconnecting the Interconnection Customer's Generating Facility to Transmission Provider's Transmission System and enabling that Transmission System to receive electric energy and capacity from the Generating Facility at the Point of Interconnection, pursuant to the terms of the Provisional Large Generator Interconnection Agreement and, if applicable, the Tariff.

Provisional Large Generator Interconnection Agreement shall mean the interconnection agreement for Provisional Interconnection Service established between Transmission Provider and/or the Transmission Owner and the Interconnection Customer. This agreement shall take the form of the Large Generator Interconnection Agreement, modified for provisional purposes.

Queue Position shall mean the order of a valid Interconnection Request, relative to all other pending valid Interconnection Requests, that is established based upon the date and time of Interconnection Customer satisfies all of the requirements of Sections 38, 39, and 42 of Transmission Provider's LGIP to enter the Cluster Study Process.

Reasonable Efforts shall mean, with respect to an action required to be attempted or taken by a Party under the Standard Large Generator Interconnection Agreement, efforts that are timely and consistent with Good Utility Practice and are otherwise substantially equivalent to those a Party would use to protect its own interests.

Reliability Assessment Study shall mean an engineering study that evaluates the impact of a proposed Generation Replacement on the reliability of the Transmission System during the time period between the date that the Existing Generating Facility cease commercial operations and the expected Commercial Operation Date of the Replacement Generating Facility.

Replacement Generating Facility shall mean a Generating Facility that replaces an Existing Generating Facility, or a portion thereof, at the same electrical Point of Interconnection pursuant to Section 45 of the Large Generator Interconnection Procedures.

Replacement Impact Study shall mean an engineering study that evaluates the impact of a proposed Generation Replacement on the reliability of the Transmission System.

Readiness Milestone Options shall mean those options set forth in Section 38.4.1(v) of the LGIP.

Resource Plan shall mean any process authorized or required by Applicable Laws and Regulations for, inter alia, the selection of Generating Facilities.

Resource Solicitation Process shall mean any process authorized or required by Applicable Laws and Regulations for the acquisition of Network Resources.

Scoping Meeting shall mean the meeting between representatives of the Interconnection Customer and Transmission Provider conducted for the purpose of discussing the proposed interconnection request, alternative interconnection options, to exchange information including any transmission data and earlier

study evaluations that would be reasonably expected to affect such interconnection options, to analyze such information, and to determine the potential feasible Points of Interconnection.

Site Control shall mean the exclusive land right to develop, construct, operate, and maintain the Generating Facility over the term of expected operation of the Generating Facility. Site Control may be demonstrated by documentation establishing: (1) ownership of, a leasehold interest in, or a right to develop a site of sufficient size to construct and operate the Generating Facility; (2) an option to purchase or acquire a leasehold interest in a site of sufficient size to construct and operate the Generating Facility; or (3) any other documentation that clearly demonstrates the right of the Interconnection Customer to exclusively occupy a site of sufficient size to construct and operate the Generating Facility. Site Control for any co-located project is demonstrated by a contract or other agreement demonstrating shared land use for all co-located projects that meet the aforementioned provisions of this Site Control definition.

SLGIA Milestone(s) shall mean milestones provided in Appendix B of this SLGIA.

Small Generating Facility shall mean a Generating Facility that has a Generating Facility Capacity of no more than 20 MW.

Stand Alone Network Upgrades shall mean Network Upgrades that are not part of an Affected System that an Interconnection Customer may construct without affecting day-to-day operations of the Transmission System during their construction. Both the Transmission Provider and the Interconnection Customer must agree as to what constitutes Stand Alone Network Upgrades and identify them in Appendix A to the Standard Large Generator Interconnection Agreement. If the Transmission Provider and Interconnection Customer disagree about whether a particular Network Upgrade is a Stand Alone Network Upgrade, the Transmission Provider must provide the Interconnection Customer a written technical explanation outlining why the Transmission Provider does not consider the Network Upgrade to be a Stand Alone Network Upgrade within 15 days of its determination.

Standard Large Generator Interconnection Agreement (LGIA) shall mean the form of interconnection agreement applicable to an Interconnection Request pertaining to a Large Generating Facility that is included in the Transmission Provider's Tariff.

Standard Large Generator Interconnection Procedures (LGIP) shall mean the interconnection procedures applicable to an Interconnection Request pertaining to a Large Generating Facility that are included in the Transmission Provider's Tariff.

Surplus Interconnection Service shall mean any unneeded portion of Interconnection Service established in a Large Generator Interconnection Agreement, such that if Surplus Interconnection Service is utilized the total amount of Interconnection Service at the Point of Interconnection would remain the same.

Surplus Interconnection Service System Impact Study shall mean an engineering study that evaluates the impact of a proposed request for Surplus Interconnection Service on the safety and reliability of Transmission Provider's Transmission System and, if applicable, an Affected System. The study shall identify and detail the system impacts that would result if the Generating Facility were interconnected without project modifications or system modifications, focusing on the Adverse System Impacts, or to study potential impacts, including but not limited to those identified in the Scoping Meeting as described in the Standard Large Generator Interconnection Procedures.

Surplus Interconnection Service System Impact Study Agreement shall mean the form of agreement contained in Appendix XX of the Standard Large Generator Interconnection Procedures for conducting a system impact study for purposes of evaluating a request for Surplus Interconnection Service pursuant to Section 38.3.

Surplus Large Generator Interconnection Agreement (SLGIA) shall mean the interconnection agreement applicable to a Surplus Interconnection Request pertaining to a Large Generating Facility that is provided for in the Transmission Provider's Tariff.

System Protection Facilities shall mean the equipment, including necessary protection signal communications equipment, required to protect (1) the Transmission Provider's Transmission System from faults or other electrical disturbances occurring at the Generating Facility and (2) the Generating Facility from faults or other electrical system disturbances occurring on the Transmission Provider's Transmission System or on other delivery systems or other generating systems to which the Transmission Provider's Transmission System is directly connected.

Tariff shall mean the Transmission Provider's Tariff

through which open access transmission service and Interconnection Service are offered, as filed with FERC, and as amended or supplemented from time to time, or any successor tariff.

Transmission Owner shall mean an entity that owns, leases or otherwise possesses an interest in the portion of the Transmission System at the Point of Interconnection and may be a Party to the Standard Large Generator Interconnection Agreement to the extent necessary.

Transmission Provider shall mean the public utility (or its designated agent) that owns, controls, or operates transmission or distribution facilities used for the transmission of electricity in interstate commerce and provides transmission service under the Tariff. The term Transmission Provider should be read to include the Transmission Owner when the Transmission Owner is separate from the Transmission Provider.

Transmission Provider's Interconnection Facilities shall mean all facilities and equipment owned, controlled or operated by the Transmission Provider from the Point of Change of Ownership to the Point of Interconnection as identified in Appendix A to the Standard Large Generator Interconnection Agreement, including any modifications, additions or upgrades to such facilities and equipment. Transmission Provider's Interconnection Facilities are sole use facilities and shall not include Distribution Upgrades, Stand Alone Network Upgrades or Network Upgrades. Transmission Provider's Interconnection Facilities may be shared by more than one Generating Facility in a given Cluster Study.

Transmission System shall mean the facilities owned, controlled or operated by the Transmission Provider or Transmission Owner that are used to provide transmission service under the Tariff.

Trial Operation shall mean the period during which Interconnection Customer is engaged in on-site test operations and commissioning of the Generating Facility prior to Commercial Operation.

Variable Energy Resource shall mean a device for the production of electricity that is characterized by an energy source that: (1) is renewable; (2) cannot be stored by the facility owner or operator; and (3) has variability that is beyond the control of the facility owner or operator.

Withdrawal Penalty shall have the meaning set forth in Section 38.7.1 of the LGIP.

Article 2. Effective Date, Term, and Termination

2.1 Effective Date. This SLGIA shall become effective upon execution by the Parties subject to acceptance by FERC (if applicable), or if filed unexecuted, upon the date specified by FERC. Transmission Provider shall promptly file this SLGIA with FERC upon execution in accordance with Article 3.1, if required.

2.2 Term of Agreement. Subject to the provisions of Article 2.3, this SLGIA shall remain in effect for a period of ten (10) years from the Effective Date or such other longer period as Interconnection Customer may request (Term to be specified in individual agreements) and shall be automatically renewed for each successive one-year period thereafter.

2.3 Termination Procedures.

2.3.1 Written Notice. This SLGIA may be terminated by Interconnection Customer after giving Transmission Provider ninety (90) Calendar Days advance written notice, or by Transmission Provider notifying FERC after the Generating Facility permanently ceases Commercial Operation. This SLGIA shall be terminated by Transmission Provider if the Generating Facility or a portion of the Generating Facility fails to achieve Commercial Operation by the Commercial Operation Date established in accordance with Section 39.4.5 of the LGIP, including any extension provided thereunder, or, having previously achieved Commercial Operation, has ceased Commercial Operation for three (3) consecutive years, beginning with the last date of Commercial Operation for the Generating Facility, after giving Interconnection Customer ninety (90) Calendar Days advance written notice. Notwithstanding the foregoing, this SLGIA shall not be terminated if the Interconnection Customer has been approved for modifying its Generating Facility per Section 5.19 of the SLGIA or replacing its Generating Facility per Section 45 of the LGIP until the SLGIA associated with the modified or replacement facility is in effect. When only a portion of the Generating Facility fails to achieve Commercial Operation by the Commercial Operation Date established in accordance with

Section 39.4.5 of the LGIP, including any extension provided thereunder, Transmission Provider shall terminate only that portion of the SLGIA. Notwithstanding the foregoing, in the limited circumstance that the Interconnection Request is served by a Contingent Facility with an in-service date that is later than the Commercial Operation Date permitted under Section 39.4.5 of the LGIP, Transmission Provider shall terminate this SLGIA only for failure to achieve Commercial Operation by ninety (90) Calendar Days after that later in-service date of the Contingent Facility. The Generating Facility will not be deemed to have ceased Commercial Operation for purposes of this Article 2.3.1 if Interconnection Customer can document that it has taken other significant steps to maintain or restore operational readiness of the Generating Facility for the purpose of returning the Generating Facility to Commercial Operation as soon as possible.

2.3.1.1 Surplus Interconnection Service. Where this SLGIA provides for Surplus Interconnection Service and the Energy Displacement Agreement required for Surplus Interconnection Service are no longer in effect and not replaced by comparable agreements, Interconnection Customer shall immediately cease Commercial Operation of the Generating Facility and this SLGIA shall be deemed terminated. In the event that the Existing Generating Facility retires and/or permanently ceases Commercial Operation, the Surplus Interconnection Service provided under this SLGIA shall terminate except as provided in Section 2.3.1.2 below.

2.3.1.2 Requirements for continuation of Surplus Interconnection Service after retirement or cessation of commercial operation of an Existing Generating Facility. In the event that the Interconnection Customer seeks to continue Surplus Interconnection Service following the retirement and permanent cessation of Commercial Operation of the Existing Generating Facility associated with that Surplus Interconnection Service, Transmission Provider shall permit the Surplus Interconnection Service to continue

for a limited period not to exceed one (1) year if the Existing Generating Facility ceases operation and if the following conditions are met: (i) Transmission Provider studied the Surplus Interconnection Service Generating Facility for sole operation at that Point of Interconnection as a part of Interconnection Study for the Surplus Interconnection Service Generating Facility, and such studies confirm that the Surplus Interconnection Service Generating Facility can be solely and reliably operated after the Existing Generating Facility ceases operation; and (ii) the Existing Generating Facility Interconnection Customer must provide written consent to the continued operation of the Surplus Interconnection Service Generating Facility at either: (a) the limited level of Surplus Interconnection Service that is reflected in the Surplus Interconnection Service Generating Facility's Generator Interconnection Agreement; or (b) at any level below such limit.

2.3.2 Default. Either Party may terminate this SLGIA in accordance with Article 17.

2.3.3 Notwithstanding Articles 2.3.1 and 2.3.2, no termination shall become effective until the Parties have complied with all Applicable Laws and Regulations applicable to such termination, including the filing with FERC of a notice of termination of this SLGIA, which notice has been accepted for filing by FERC.

2.4 Termination Costs. If a Party elects to terminate this Agreement pursuant to Article 2.3 above, each Party shall pay all costs incurred (including any cancellation costs relating to orders or contracts for Interconnection Facilities and equipment) or charges assessed by the other Party, as of the date of the other Party's receipt of such notice of termination, that are the responsibility of the Terminating Party under this SLGIA. In the event of termination by a Party, the Parties shall use commercially Reasonable Efforts to mitigate the costs, damages and charges arising as a consequence of termination. Upon

termination of this SLGIA, unless otherwise ordered or approved by FERC:

2.4.1 With respect to any portion of Transmission Provider's Interconnection Facilities that have not yet been constructed or installed, Transmission Provider shall to the extent possible and with Interconnection Customer's authorization cancel any pending orders of, or return, any materials or equipment for, or contracts for construction of, such facilities; provided that in the event Interconnection Customer elects not to authorize such cancellation, Interconnection Customer shall assume all payment obligations with respect to such materials, equipment, and contracts, and Transmission Provider shall deliver such material and equipment, and, if necessary, assign such contracts, to Interconnection Customer as soon as practicable, at Interconnection Customer's expense. To the extent that Interconnection Customer has already paid Transmission Provider for any or all such costs of materials or equipment not taken by Interconnection Customer, Transmission Provider shall promptly refund such amounts to Interconnection Customer, less any costs, including penalties incurred by Transmission Provider to cancel any pending orders of or return such materials, equipment, or contracts.

If an Interconnection Customer terminates this SLGIA, it shall be responsible for all costs incurred in association with that Interconnection Customer's interconnection, including any cancellation costs relating to orders or contracts for Interconnection Facilities and equipment, and other expenses including any Network Upgrades for which Transmission Provider has incurred expenses and has not been reimbursed by Interconnection Customer.

2.4.2 Transmission Provider may, at its option, retain any portion of such materials, equipment, or facilities that Interconnection Customer chooses not to accept delivery of, in

which case Transmission Provider shall be responsible for all costs associated with procuring such materials, equipment, or facilities.

2.4.3 With respect to any portion of the Interconnection Facilities, and any other facilities already installed or constructed pursuant to the terms of this SLGIA, Interconnection Customer shall be responsible for all costs associated with the removal, relocation or other disposition or retirement of such materials, equipment, or facilities.

2.5 Disconnection. Upon termination of this SLGIA, the Parties will take all appropriate steps to disconnect the Large Generating Facility from the Transmission System. All costs required to effectuate such disconnection shall be borne by the terminating Party, unless such termination resulted from the non-terminating Party's Default of this SLGIA or such non-terminating Party otherwise is responsible for these costs under this SLGIA.

2.6 Survival. This SLGIA shall continue in effect after termination to the extent necessary to provide for final billings and payments and for costs incurred hereunder, including billings and payments pursuant to this SLGIA; to permit the determination and enforcement of liability and indemnification obligations arising from acts or events that occurred while this SLGIA was in effect; and to permit each Party to have access to the lands of the other Party pursuant to this SLGIA or other applicable agreements, to disconnect, remove or salvage its own facilities and equipment.

Article 3. Regulatory Filings

3.1 Filing. Transmission Provider shall file this SLGIA (and any amendment hereto) with the appropriate Governmental Authority, if required. Interconnection Customer may request that any information so provided be subject to the confidentiality provisions of Article 22. If Interconnection Customer has executed this SLGIA, or any amendment thereto, Interconnection Customer shall reasonably cooperate with Transmission Provider with respect to such filing and to provide any information reasonably requested by Transmission Provider needed to

comply with applicable regulatory requirements.

Article 4. Scope of Service

4.1 Interconnection Product Options. Interconnection Customer has selected the following (checked) type of Interconnection Service:

4.1.1 Energy Resource Interconnection Service.

4.1.1.1 The Product. Energy Resource Interconnection Service allows Interconnection Customer to connect the Large Generating Facility to the Transmission System and be eligible to deliver the Large Generating Facility's output using the existing firm or non-firm capacity of the Transmission System on an "as available" basis. To the extent Interconnection Customer wants to receive Energy Resource Interconnection Service, Transmission Provider shall construct facilities identified in Appendix A.

4.1.1.2 Transmission Delivery Service Implications. Under Energy Resource Interconnection Service, Interconnection Customer will be eligible to inject power from the Large Generating Facility into and deliver power across the interconnecting Transmission Provider's Transmission System on an "as available" basis up to the amount of MWs identified in the applicable stability and steady state studies to the extent the upgrades initially required to qualify for Energy Resource Interconnection Service have been constructed. Where eligible to do so (e.g., PJM, ISO-NE, NYISO), Interconnection Customer may place a bid to sell into the market up to the maximum identified Large Generating

Facility output, subject to any conditions specified in the interconnection service approval, and the Large Generating Facility will be dispatched to the extent Interconnection Customer's bid clears. In all other instances, no transmission delivery service from the Large Generating Facility is assured, but Interconnection Customer may obtain Point-to-Point Transmission Service, Network Integration Transmission Service, or be used for secondary network transmission service, pursuant to Transmission Provider's Tariff, up to the maximum output identified in the stability and steady state studies. In those instances, in order for Interconnection Customer to obtain the right to deliver or inject energy beyond the Large Generating Facility Point of Interconnection or to improve its ability to do so, transmission delivery service must be obtained pursuant to the provisions of Transmission Provider's Tariff. The Interconnection Customer's ability to inject its Large Generating Facility output beyond the Point of Interconnection, therefore, will depend on the existing capacity of Transmission Provider's Transmission System at such time as a transmission service request is made that would accommodate such delivery. The provision of firm Point-to-Point Transmission Service or Network Integration Transmission Service may require the construction of additional Network Upgrades.

X **4.1.2** **Network Resource Interconnection Service.**

4.1.2.1 **The Product.** Transmission Provider must conduct the necessary studies and construct the Network Upgrades needed

to integrate the Large Generating Facility (1) in a manner comparable to that in which Transmission Provider integrates its generating facilities to serve native load customers; or (2) in an ISO or RTO with market based congestion management, in the same manner as all Network Resources. To the extent Interconnection Customer wants to receive Network Resource Interconnection Service, Transmission Provider shall construct the facilities identified in Appendix A to this SLGIA.

4.1.2.2 Transmission Delivery Service

Implications. Network Resource Interconnection Service allows Interconnection Customer's Large Generating Facility to be designated by any Network Customer under the Tariff on Transmission Provider's Transmission System as a Network Resource, up to the Large Generating Facility's full output, on the same basis as existing Network Resources interconnected to Transmission Provider's Transmission System, and to be studied as a Network Resource on the assumption that such a designation will occur. Although Network Resource Interconnection Service does not convey a reservation of transmission service, any Network Customer under the Tariff can utilize its network service under the Tariff to obtain delivery of energy from the interconnected Interconnection Customer's Large Generating Facility in the same manner as it accesses Network Resources. A Large Generating Facility receiving Network Resource Interconnection Service may also be used to provide Ancillary Services after technical studies and/or periodic analyses are performed with respect to the Large Generating

Facility's ability to provide any applicable Ancillary Services, provided that such studies and analyses have been or would be required in connection with the provision of such Ancillary Services by any existing Network Resource. However, if an Interconnection Customer's Large Generating Facility has not been designated as a Network Resource by any load, it cannot be required to provide Ancillary Services except to the extent such requirements extend to all generating facilities that are similarly situated. The provision of Network Integration Transmission Service or firm Point-to-Point Transmission Service may require additional studies and the construction of additional upgrades. Because such studies and upgrades would be associated with a request for delivery service under the Tariff, cost responsibility for the studies and upgrades would be in accordance with FERC's policy for pricing transmission delivery services.

Network Resource Interconnection Service does not necessarily provide Interconnection Customer with the capability to physically deliver the output of its Large Generating Facility to any particular load on Transmission Provider's Transmission System without incurring congestion costs. In the event of transmission constraints on Transmission Provider's Transmission System, Interconnection Customer's Large Generating Facility shall be subject to the applicable congestion management procedures in Transmission Provider's Transmission System in the same manner as Network Resources.

There is no requirement either at the

time of study or interconnection, or at any point in the future, that Interconnection Customer's Large Generating Facility be designated as a Network Resource by a Network Service Customer under the Tariff or that Interconnection Customer identify a specific buyer (or sink). To the extent a Network Customer does designate the Large Generating Facility as a Network Resource, it must do so pursuant to Transmission Provider's Tariff.

Once an Interconnection Customer satisfies the requirements for obtaining Network Resource Interconnection Service, any future transmission service request for delivery from the Large Generating Facility within Transmission Provider's Transmission System of any amount of capacity and/or energy, up to the amount initially studied, will not require that any additional studies be performed or that any further upgrades associated with such Large Generating Facility be undertaken, regardless of whether or not such Large Generating Facility is ever designated by a Network Customer as a Network Resource and regardless of changes in ownership of the Large Generating Facility. However, the reduction or elimination of congestion or redispatch costs may require additional studies and the construction of additional upgrades.

To the extent Interconnection Customer enters into an arrangement for long term transmission service for deliveries from the Large Generating Facility outside Transmission Provider's Transmission System, such request may require additional studies and upgrades in order for Transmission

Provider to grant such request.

- 4.2 Provision of Service.** Transmission Provider shall provide Interconnection Service for the Large Generating Facility at the Point of Interconnection.
- 4.3 Performance Standards.** Each Party shall perform all of its obligations under this SLGIA in accordance with Applicable Laws and Regulations, Applicable Reliability Standards, and Good Utility Practice, and to the extent a Party is required or prevented or limited in taking any action by such regulations and standards, such Party shall not be deemed to be in Breach of this SLGIA for its compliance therewith. If such Party is a Transmission Provider or Transmission Owner, then that Party shall amend the SLGIA and submit the amendment to FERC for approval.
- 4.4 No Transmission Delivery Service.** The execution of this SLGIA does not constitute a request for, nor the provision of, any transmission delivery service under Transmission Provider's Tariff, and does not convey any right to deliver electricity to any specific customer or Point of Delivery.
- 4.5 Interconnection Customer Provided Services.** The services provided by Interconnection Customer under this SLGIA are set forth in Article 9.6 and Article 13.5.1.

Interconnection Customer shall be paid for such services in accordance with Article 11.6.

Article 5. Interconnection Facilities Engineering, Procurement, and Construction

- 5.1 Options.** Unless otherwise mutually agreed to between the Parties, Interconnection Customer shall select the In-Service Date, Initial Synchronization Date, and Commercial Operation Date; and either the Standard Option or Alternate Option set forth below, and such dates and selected option shall be set forth in Appendix B, Milestones. At the same time, Interconnection Customer shall indicate whether it elects to exercise the Option to Build set forth in Article 5.1.3 below. If the dates designated by Interconnection Customer are not acceptable to Transmission Provider, Transmission Provider shall so notify Interconnection Customer within thirty (30)

Calendar Days. Upon receipt of the notification that Interconnection Customer's designated dates are not acceptable to Transmission Provider, the Interconnection Customer shall notify Transmission Provider within thirty (30) Calendar Days whether it elects to exercise the Option to Build if it has not already elected to exercise the Option to Build.

5.1.1 Standard Option. Transmission Provider shall design, procure, and construct Transmission Provider's Interconnection Facilities and Network Upgrades, using Reasonable Efforts to complete Transmission Provider's Interconnection Facilities and Network Upgrades by the dates set forth in Appendix B, Milestones. Transmission Provider shall not be required to undertake any action which is inconsistent with its standard safety practices, its material and equipment specifications, its design criteria and construction procedures, its labor agreements, and Applicable Laws and Regulations. In the event Transmission Provider reasonably expects that it will not be able to complete Transmission Provider's Interconnection Facilities and Network Upgrades by the specified dates, Transmission Provider shall promptly provide written notice to Interconnection Customer and shall undertake Reasonable Efforts to meet the earliest dates thereafter.

5.1.2 Alternate Option. If the dates designated by Interconnection Customer are acceptable to Transmission Provider, Transmission Provider shall so notify Interconnection Customer within thirty (30) Calendar Days, and shall assume responsibility for the design, procurement and construction of Transmission Provider's Interconnection Facilities by the designated dates.

If Transmission Provider subsequently fails to complete Transmission Provider's Interconnection Facilities by the In-Service Date, to the extent necessary to provide back feed power; or fails to complete Network

Upgrades by the Initial Synchronization Date to the extent necessary to allow for Trial Operation at full power output, unless other arrangements are made by the Parties for such Trial Operation; or fails to complete the Network Upgrades by the Commercial Operation Date, as such dates are reflected in Appendix B, Milestones; Transmission Provider shall pay Interconnection Customer liquidated damages in accordance with Article 5.3, Liquidated Damages, provided, however, the dates designated by Interconnection Customer shall be extended day for day for each day that the applicable RTO or ISO refuses to grant clearances to install equipment.

5.1.3 Option to Build. Interconnection Customer shall have the option to assume responsibility for the design, procurement and construction of Transmission Provider's Interconnection Facilities and Stand Alone Network Upgrades on the dates specified in Article 5.1.2. Transmission Provider and Interconnection Customer must agree as to what constitutes Stand Alone Network Upgrades and identify such Stand Alone Network Upgrades in Appendix A. Except for Stand Alone Network Upgrades, Interconnection Customer shall have no right to construct Network Upgrades under this option.

5.1.4 Negotiated Option. If the dates designated by interconnection Customer are not acceptable to Transmission Provider, the Parties shall in good faith attempt to negotiate terms and conditions (including revision of the specified dates and liquidated damages, the provision of incentives, or the procurement and construction of all facilities other than Transmission Provider's Interconnection Facilities and Stand Alone Network Upgrades if the Interconnection Customer elects to exercise the Option to Build under Article 5.1.3. If the Parties are unable to reach agreement on such terms and conditions, then, pursuant to Article 5.1.1 (Standard Option), Transmission Provider shall assume responsibility for the design, procurement and construction of all facilities

other than Transmission Provider's Interconnection Facilities and Stand Alone Network Upgrades if the Interconnection Customer elects to exercise the Option to Build.

5.2 General Conditions Applicable to Option to Build. If Interconnection Customer assumes responsibility for the design, procurement and construction of Transmission Provider's Interconnection Facilities and Stand Alone Network Upgrades,

- (1) Interconnection Customer shall engineer, procure equipment, and construct Transmission Provider's Interconnection Facilities and Stand Alone Network Upgrades (or portions thereof) using Good Utility Practice and using standards and specifications provided in advance by Transmission Provider;
- (2) Interconnection Customer's engineering, procurement and construction of Transmission Provider's Interconnection Facilities and Stand Alone Network Upgrades shall comply with all requirements of law to which Transmission Provider would be subject in the engineering, procurement or construction of Transmission Provider's Interconnection Facilities and Stand Alone Network Upgrades;
- (3) Transmission Provider shall review and approve the engineering design, equipment acceptance tests, and the construction of Transmission Provider's Interconnection Facilities and Stand Alone Network Upgrades;
- (4) prior to commencement of construction, Interconnection Customer shall provide to Transmission Provider a schedule for construction of Transmission Provider's Interconnection Facilities and Stand Alone Network Upgrades, and shall promptly respond to requests for information from Transmission Provider;
- (5) at any time during construction, Transmission Provider shall have the right to gain

unrestricted access to Transmission Provider's Interconnection Facilities and Stand Alone Network Upgrades and to conduct inspections of the same;

- (6) at any time during construction, should any phase of the engineering, equipment procurement, or construction of Transmission Provider's Interconnection Facilities and Stand Alone Network Upgrades not meet the standards and specifications provided by Transmission Provider, Interconnection Customer shall be obligated to remedy deficiencies in that portion of Transmission Provider's Interconnection Facilities and Stand Alone Network Upgrades;
- (7) Interconnection Customer shall indemnify Transmission Provider for claims arising from Interconnection Customer's construction of Transmission Provider's Interconnection Facilities and Stand Alone Network Upgrades under the terms and procedures applicable to Article 18.1 Indemnity;
- (8) Interconnection Customer shall transfer control of Transmission Provider's Interconnection Facilities and Stand Alone Network Upgrades to Transmission Provider;
- (9) Unless Parties otherwise agree, Interconnection Customer shall transfer ownership of Transmission Provider's Interconnection Facilities and Stand-Alone Network Upgrades to Transmission Provider;
- (10) Transmission Provider shall approve and accept for operation and maintenance Transmission Provider's Interconnection Facilities and Stand Alone Network Upgrades to the extent engineered, procured, and constructed in accordance with this Article 5.2; and
- (11) Interconnection Customer shall deliver to Transmission Provider "as-built" drawings, information, and any other documents that are reasonably required by Transmission Provider to

assure that the Interconnection Facilities and Stand-Alone Network Upgrades are built to the standards and specifications required by Transmission Provider.

- (12) If Interconnection Customer exercises the Option to Build pursuant to Article 5.1.3, Interconnection Customer shall pay Transmission Provider the agreed upon amount of [TBD] for Transmission Provider to execute the responsibilities enumerated to Transmission Provider under Article 5.2. Transmission Provider shall invoice Interconnection Customer for this total amount to be divided on a monthly basis pursuant to Article 12.

5.3 Liquidated Damages. The actual damages to Interconnection Customer, in the event Transmission Provider's Interconnection Facilities or Network Upgrades are not completed by the dates designated by Interconnection Customer and accepted by Transmission Provider pursuant to subparagraphs 5.1.2 or 5.1.4, above, may include Interconnection Customer's fixed operation and maintenance costs and lost opportunity costs. Such actual damages are uncertain and impossible to determine at this time. Because of such uncertainty, any liquidated damages paid by Transmission Provider to Interconnection Customer in the event that Transmission Provider does not complete any portion of Transmission Provider's Interconnection Facilities or Network Upgrades by the applicable dates, shall be an amount equal to $\frac{1}{2}$ of 1 percent per day of the actual cost of Transmission Provider's Interconnection Facilities and Network Upgrades, in the aggregate, for which Transmission Provider has assumed responsibility to design, procure and construct.

However, in no event shall the total liquidated damages exceed 20 percent of the actual cost of Transmission Provider's Interconnection Facilities and Network Upgrades for which Transmission Provider has assumed responsibility to design, procure, and construct. The foregoing payments will be made by Transmission Provider to Interconnection Customer as just compensation for the damages caused to Interconnection Customer, which actual damages are uncertain and impossible to determine at this time, and as reasonable liquidated damages, but not as a penalty or a method to secure performance of this SLGIA. Liquidated

damages, when the Parties agree to them, are the exclusive remedy for the Transmission Provider's failure to meet its schedule.

No liquidated damages shall be paid to Interconnection Customer if: (1) Interconnection Customer is not ready to commence use of Transmission Provider's Interconnection Facilities or Network Upgrades to take the delivery of power for the Large Generating Facility's Trial Operation or to export power from the Large Generating Facility on the specified dates, unless Interconnection Customer would have been able to commence use of Transmission Provider's Interconnection Facilities or Network Upgrades to take the delivery of power for Large Generating Facility's Trial Operation or to export power from the Large Generating Facility, but for Transmission Provider's delay; (2) Transmission Provider's failure to meet the specified dates is the result of the action or inaction of Interconnection Customer or any other Interconnection Customer who has entered into an SLGIA with Transmission Provider or any cause beyond Transmission Provider's reasonable control or reasonable ability to cure; (3) the interconnection Customer has assumed responsibility for the design, procurement and construction of Transmission Provider's Interconnection Facilities and Stand Alone Network Upgrades; or (4) the Parties have otherwise agreed.

5.4 Power System Stabilizers. The Interconnection Customer shall procure, install, maintain and operate Power System Stabilizers in accordance with the guidelines and procedures established by the Applicable Reliability Council. Transmission Provider reserves the right to reasonably establish minimum acceptable settings for any installed Power System Stabilizers, subject to the design and operating limitations of the Large Generating Facility. If the Large Generating Facility's Power System Stabilizers are removed from service or not capable of automatic operation, Interconnection Customer shall immediately notify Transmission Provider's system operator, or its designated representative. The requirements of this paragraph shall not apply to wind generators.

5.5 Equipment Procurement. If responsibility for construction of Transmission Provider's Interconnection Facilities or Network Upgrades is to be borne by Transmission Provider,

then Transmission Provider shall commence design of Transmission Provider's Interconnection Facilities or Network Upgrades and procure necessary equipment as soon as practicable after all of the following conditions are satisfied, unless the Parties otherwise agree in writing:

- 5.5.1 Transmission Provider has completed the Facilities Study pursuant to the Facilities Study Agreement;
- 5.5.2 Transmission Provider has received written authorization to proceed with design and procurement from Interconnection Customer by the date specified in Appendix B, Milestones; and
- 5.5.3 Interconnection Customer has provided security to Transmission Provider in accordance with Article 11.5 by the dates specified in Appendix B, Milestones.

5.6 Construction Commencement. Transmission Provider shall commence construction of Transmission Provider's Interconnection Facilities and Network Upgrades for which it is responsible as soon as practicable after the following additional conditions are satisfied:

- 5.6.1 Approval of the appropriate Governmental Authority has been obtained for any facilities requiring regulatory approval;
- 5.6.2 Necessary real property rights and rights-of-way have been obtained, to the extent required for the construction of a discrete aspect of Transmission Provider's Interconnection Facilities and Network Upgrades;
- 5.6.3 Transmission Provider has received written authorization to proceed with construction from Interconnection Customer by the date specified in Appendix B, Milestones; and
- 5.6.4 Interconnection Customer has provided security to Transmission Provider in accordance with Article 11.5 by the dates specified in Appendix B, Milestones.

5.7 Work Progress. The Parties will keep each other advised periodically as to the progress of their respective design, procurement and construction efforts. Either Party may, at any time, request a progress report from the other Party. If, at any time, Interconnection Customer determines that the completion of Transmission Provider's Interconnection Facilities will not be required until after the specified In-Service Date, Interconnection Customer will provide written notice to Transmission Provider of such later date upon which the completion of Transmission Provider's Interconnection Facilities will be required.

5.8 Information Exchange. As soon as reasonably practicable after the Effective Date, the Parties shall exchange information regarding the design and compatibility of the Parties' Interconnection Facilities and compatibility of the Interconnection Facilities with Transmission Provider's Transmission System, and shall work diligently and in good faith to make any necessary design changes.

5.9 Other Interconnection Options.

5.9.1 Limited Operation. If any of Transmission Provider's Interconnection Facilities or Network Upgrades are not reasonably expected to be completed prior to the Commercial Operation Date of the Large Generating Facility, Transmission Provider shall, upon the request and at the expense of Interconnection Customer, perform operating studies on a timely basis to determine the extent to which the Large Generating Facility and Interconnection Customer's Interconnection Facilities may operate prior to the completion of Transmission Provider's Interconnection Facilities or Network Upgrades consistent with Applicable Laws and Regulations, Applicable Reliability Standards, Good Utility Practice, and this SLGIA. Transmission Provider shall permit Interconnection Customer to operate the Large Generating Facility and Interconnection Customer's Interconnection Facilities in accordance with the results of such studies.

5.9.2 Provisional Interconnection Service. Upon the request of Interconnection Customer, and prior

to completion of requisite Interconnection Facilities, Network Upgrades, Distribution Upgrades, or System Protection Facilities Transmission Provider may execute a Provisional Large Generator Interconnection Agreement or Interconnection Customer may request the filing of an unexecuted Provisional Large Generator Interconnection Agreement with the Interconnection Customer for limited Interconnection Service at the discretion of Transmission Provider based upon an evaluation that will consider the results of available studies. Transmission Provider shall determine, through available studies or additional studies as necessary, whether stability, short circuit, thermal, and/or voltage issues would arise if Interconnection Customer interconnects without modifications to the Generating Facility or Transmission System. Transmission Provider shall determine whether any Interconnection Facilities, Network Upgrades, Distribution Upgrades, or System Protection Facilities that are necessary to meet the requirements of NERC, or any applicable Regional Entity for the interconnection of a new, modified and/or expanded Generating Facility are in place prior to the commencement of Interconnection Service from the Generating Facility. Where available studies indicate that such, Interconnection Facilities, Network Upgrades, Distribution Upgrades, and/or System Protection Facilities that are required for the interconnection of a new, modified and/or expanded Generating Facility are not currently in place, Transmission Provider will perform a study, at the Interconnection Customer's expense, to confirm the facilities that are required for Provisional Interconnection Service. The maximum permissible output of the Generating Facility in the Provisional Large Generator Interconnection Agreement shall be studied and updated no more frequently than annually unless a relevant change to the Transmission System occurs. Interconnection Customer assumes all risk and liabilities with respect to changes between the Provisional Large Generator Interconnection Agreement and the Large

Generator Interconnection Agreement, including changes in output limits and Interconnection Facilities, Network Upgrades, Distribution Upgrades, and/or System Protection Facilities cost responsibilities.

5.10 Interconnection Customer's Interconnection Facilities ('ICIF'). Interconnection Customer shall, at its expense, design, procure, construct, own and install the ICIF, as set forth in Appendix A, Interconnection Facilities, Network Upgrades and Distribution Upgrades.

5.10.1 Interconnection Customer's Interconnection Facility Specifications. Interconnection Customer shall submit initial specifications for the ICIF, including System Protection Facilities, to Transmission Provider at least one hundred eighty (180) Calendar Days prior to the Initial Synchronization Date; and final specifications for review and comment at least ninety (90) Calendar Days prior to the Initial Synchronization Date. Transmission Provider shall review such specifications to ensure that the ICIF are compatible with the technical specifications, operational control, and safety requirements of Transmission Provider and comment on such specifications within thirty (30) Calendar Days of Interconnection Customer's submission. All specifications provided hereunder shall be deemed confidential.

5.10.2 Transmission Provider's Review. Transmission Provider's review of Interconnection Customer's final specifications shall not be construed as confirming, endorsing, or providing a warranty as to the design, fitness, safety, durability or reliability of the Large Generating Facility, or the ICIF. Interconnection Customer shall make such changes to the ICIF as may reasonably be required by Transmission Provider, in accordance with Good Utility Practice, to ensure that the ICIF are compatible with the technical specifications, operational control, and safety requirements of Transmission Provider.

5.10.3 ICIF Construction. The ICIF shall be designed and constructed in accordance with Good Utility Practice. Within one hundred twenty (120) Calendar Days after the Commercial Operation Date, unless the Parties agree on another mutually acceptable deadline, Interconnection Customer shall deliver to Transmission Provider "as-built" drawings, information and documents for the ICIF, such as: a one-line diagram, a site plan showing the Large Generating Facility and the ICIF, plan and elevation drawings showing the layout of the ICIF, a relay functional diagram, relaying AC and DC schematic wiring diagrams and relay settings for all facilities associated with Interconnection Customer's step-up transformers, the facilities connecting the Large Generating Facility to the step-up transformers and the ICIF, and the impedances (determined by factory tests) for the associated step-up transformers and the Large Generating Facility. The Interconnection Customer shall provide Transmission Provider specifications for the excitation system, automatic voltage regulator, Large Generating Facility control and protection settings, transformer tap settings, and communications, if applicable.

5.11 Transmission Provider's Interconnection Facilities Construction. Transmission Provider's Interconnection Facilities shall be designed and constructed in accordance with Good Utility Practice. Upon request, within one hundred twenty (120) Calendar Days after the Commercial Operation Date, unless the Parties agree on another mutually acceptable deadline, Transmission Provider shall deliver to Interconnection Customer the following "as-built" drawings, information and documents for Transmission Provider's Interconnection Facilities [include appropriate drawings and relay diagrams].

Transmission Provider will obtain control of Transmission Provider's Interconnection Facilities and Stand Alone Network Upgrades upon completion of such facilities.

5.12 Access Rights. Upon reasonable notice and supervision by a Party, and subject to any required or necessary

regulatory approvals, a Party ("Granting Party") shall furnish at no cost to the other Party ("Access Party") any rights of use, licenses, rights of way and easements with respect to lands owned or controlled by the Granting Party, its agents (if allowed under the applicable agency agreement), or any Affiliate, that are necessary to enable the Access Party to obtain ingress and egress to construct, operate, maintain, repair, test (or witness testing), inspect, replace or remove facilities and equipment to: (i) interconnect the Large Generating Facility with the Transmission System; (ii) operate and maintain the Large Generating Facility, the Interconnection Facilities and the Transmission System; and (iii) disconnect or remove the Access Party's facilities and equipment upon termination of this SLGIA. In exercising such licenses, rights of way and easements, the Access Party shall not unreasonably disrupt or interfere with normal operation of the Granting Party's business and shall adhere to the safety rules and procedures established in advance, as may be changed from time to time, by the Granting Party and provided to the Access Party.

5.13 Lands of Other Property Owners. If any part of Transmission Provider or Transmission Owner's Interconnection Facilities and/or Network Upgrades is to be installed on property owned by persons other than Interconnection Customer or Transmission Provider or Transmission Owner, Transmission Provider or Transmission Owner shall at Interconnection Customer's expense use efforts, similar in nature and extent to those that it typically undertakes on its own behalf or on behalf of its Affiliates, including use of its eminent domain authority, and to the extent consistent with state law, to procure from such persons any rights of use, licenses, rights of way and easements that are necessary to construct, operate, maintain, test, inspect, replace or remove Transmission Provider or Transmission Owner's Interconnection Facilities and/or Network Upgrades upon such property.

5.14 Permits. Transmission Provider or Transmission Owner and Interconnection Customer shall cooperate with each other in good faith in obtaining all permits, licenses and authorizations that are necessary to accomplish the interconnection in compliance with Applicable Laws and Regulations. With respect to this paragraph, Transmission

Provider or Transmission Owner shall provide permitting assistance to Interconnection Customer comparable to that provided to Transmission Provider's own, or an Affiliate's generation.

5.15 Early Construction of Base Case Facilities.

Interconnection Customer may request Transmission Provider to construct, and Transmission Provider shall construct, using Reasonable Efforts to accommodate Interconnection Customer's In-Service Date, all or any portion of any Network Upgrades required for Interconnection Customer to be interconnected to the Transmission System which are included in the Base Case of the Facilities Study for Interconnection Customer, and which also are required to be constructed for another Interconnection Customer, but where such construction is not scheduled to be completed in time to achieve Interconnection Customer's In-Service Date.

5.16 Suspension. Interconnection Customer reserves the right, upon written notice to Transmission Provider, to suspend at any time all work by Transmission Provider associated with the construction and installation of Transmission Provider's Interconnection Facilities and/or Network Upgrades required under this SLGIA with the condition that Transmission System shall be left in a safe and reliable condition in accordance with Good Utility Practice and Transmission Provider's safety and reliability criteria. In such event, Interconnection Customer shall be responsible for all reasonable and necessary costs which Transmission Provider (i) has incurred pursuant to this SLGIA prior to the suspension and (ii) incurs in suspending such work, including any costs incurred to perform such work as may be necessary to ensure the safety of persons and property and the integrity of the Transmission System during such suspension and, if applicable, any costs incurred in connection with the cancellation or suspension of material, equipment and labor contracts which Transmission Provider cannot reasonably avoid; provided, however, that prior to canceling or suspending any such material, equipment or labor contract, Transmission Provider shall obtain Interconnection Customer's authorization to do so. Transmission Provider shall invoice Interconnection Customer for such costs pursuant to Article 12 and shall use due diligence to minimize its costs.

Except as provided in Article 5.16.2 below, in the event Interconnection Customer suspends work by Transmission Provider required under this SLGIA pursuant to this Article 5.16, and has not requested Transmission Provider to recommence the work required under this SLGIA on or before the expiration of three (3) years following commencement of such suspension, this SLGIA shall be deemed terminated. The three-year period shall begin on the date the suspension is requested, or the date of the written notice to Transmission Provider, if no effective date is specified.

5.16.1 Effect of Missed Interconnection Customer SLGIA Milestones.

If Interconnection Customer fails to provide notice of suspension pursuant to Article 5.16, and Interconnection Customer fails to fulfill or complete any Interconnection Customer SLGIA Milestone provided in Appendix B ("SLGIA Milestone"), this constitutes a Breach under this SLGIA. Depending upon the consequences of the Breach and effectiveness of the cure pursuant to Article 17, Transmission Provider's SLGIA Milestones may be revised, following consultation with Interconnection Customer, consistent with Reasonable Efforts, and in consideration of all relevant circumstances. Parties shall employ Reasonable Efforts to maintain their remaining respective SLGIA Milestones.

5.16.2 Effect of Suspension; Parties Obligations.

In the event that Interconnection Customer suspends work pursuant to this Article 5.16, the applicable construction duration, timelines and schedules set forth in Appendix B shall be suspended during the period of suspension. Should Interconnection Customer thereafter request that work be recommenced, Appendix A and Appendix B may be revised to account for construction sequencing and modified milestones. If the Commercial Operation Date is extended beyond three (3) cumulative years described in Section 39.4.5 of the LGIP and Article 2.3.1 of this SLGIA, such an extension may be considered a Material Modification and result in the termination of the SLGIA under

Article 2.3.1. Interconnection Customer is required to maintain Site Control while this SLGIA is in effect, including during suspension.

5.17 Taxes.

5.17.1 Interconnection Customer Payments Not Taxable.

The Parties intend that all payments or property transfers made by Interconnection Customer to Transmission Provider for the installation of Transmission Provider's Interconnection Facilities and the Network Upgrades shall be non-taxable, either as contributions to capital, or as an advance, in accordance with the Internal Revenue Code and any applicable state income tax laws and shall not be taxable as contributions in aid of construction or otherwise under the Internal Revenue Code and any applicable state income tax laws.

5.17.2 Representations and Covenants.

In accordance with IRS Notice 2001-82 and IRS Notice 88-129, Interconnection Customer represents and covenants that (i) ownership of the electricity generated at the Large Generating Facility will pass to another party prior to the transmission of the electricity on the Transmission System, (ii) for income tax purposes, the amount of any payments and the cost of any property transferred to Transmission Provider for Transmission Provider's Interconnection Facilities will be capitalized by Interconnection Customer as an intangible asset and recovered using the straight-line method over a useful life of twenty (20) years, and (iii) any portion of Transmission Provider's Interconnection Facilities that is a "dual-use intertie," within the meaning of IRS Notice 88-129, is reasonably expected to carry only a de minimis amount of electricity in the direction of the Large Generating Facility. For this purpose, "de minimis amount" means no more than 5 percent of the total power flows in both directions, calculated in accordance with the "5 percent test" set forth in IRS Notice 88-

129. This is not intended to be an exclusive list of the relevant conditions that must be met to conform to IRS requirements for non-taxable treatment.

At Transmission Provider's request, Interconnection Customer shall provide Transmission Provider with a report from an independent engineer confirming its representation in clause (iii), above. Transmission Provider represents and covenants that the cost of Transmission Provider's Interconnection Facilities paid for by Interconnection Customer will have no net effect on the base upon which rates are determined.

5.17.3 Indemnification for the Cost Consequences of Current Tax Liability Imposed Upon the Transmission Provider. Notwithstanding Article 5.17.1, Interconnection Customer shall protect, indemnify and hold harmless Transmission Provider from the cost consequences of any current tax liability imposed against Transmission Provider as the result of payments or property transfers made by Interconnection Customer to Transmission Provider under this SLGIA for Interconnection Facilities, as well as any interest and penalties, other than interest and penalties attributable to any delay caused by Transmission Provider.

Transmission Provider shall not include a gross-up for the cost consequences of any current tax liability in the amounts it charges Interconnection Customer under this SLGIA unless (i) Transmission Provider has determined, in good faith, that the payments or property transfers made by Interconnection Customer to Transmission Provider should be reported as income subject to taxation or (ii) any Governmental Authority directs Transmission Provider to report payments or property as income subject to taxation; provided, however, that Transmission Provider may require Interconnection Customer to provide security for Interconnection Facilities, in a form

reasonably acceptable to Transmission Provider (such as a parental guarantee or a letter of credit), in an amount equal to the cost consequences of any current tax liability under this Article 5.17. Interconnection Customer shall reimburse Transmission Provider for such costs on a fully grossed-up basis, in accordance with Article 5.17.4, within thirty (30) Calendar Days of receiving written notification from Transmission Provider of the amount due, including detail about how the amount was calculated.

The indemnification obligation shall terminate at the earlier of (1) the expiration of the ten year testing period and the applicable statute of limitation, as it may be extended by Transmission Provider upon request of the IRS, to keep these years open for audit or adjustment, or (2) the occurrence of a subsequent taxable event and the payment of any related indemnification obligations as contemplated by this Article 5.17.

5.17.4 Tax Gross-Up Amount. Interconnection Customer's liability for the cost consequences of any current tax liability under this Article 5.17 shall be calculated on a fully grossed-up basis. Except as may otherwise be agreed to by the parties, this means that Interconnection Customer will pay Transmission Provider, in addition to the amount paid for the Interconnection Facilities and Network Upgrades, an amount equal to (1) the current taxes imposed on Transmission Provider ("Current Taxes") on the excess of (a) the gross income realized by Transmission Provider as a result of payments or property transfers made by Interconnection Customer to Transmission Provider under this SLGIA (without regard to any payments under this Article 5.17) (the "Gross Income Amount") over (b) the present value of future tax deductions for depreciation that will be available as a result of such payments or property transfers (the "Present Value Depreciation Amount"), plus (2) an additional amount sufficient to permit

Transmission Provider to receive and retain, after the payment of all Current Taxes, an amount equal to the net amount described in clause (1).

For this purpose, (i) Current Taxes shall be computed based on Transmission Provider's composite federal and state tax rates at the time the payments or property transfers are received and Transmission Provider will be treated as being subject to tax at the highest marginal rates in effect at that time (the "Current Tax Rate"), and (ii) the Present Value Depreciation Amount shall be computed by discounting Transmission Provider's anticipated tax depreciation deductions as a result of such payments or property transfers by Transmission Provider's current weighted average cost of capital. Thus, the formula for calculating Interconnection Customer's liability to Transmission Owner pursuant to this Article 5.17.4 can be expressed as follows: $(\text{Current Tax Rate} \times (\text{Gross Income Amount} - \text{Present Value of Tax Depreciation})) / (1 - \text{Current Tax Rate})$. Interconnection Customer's estimated tax liability in the event taxes are imposed shall be stated in Appendix A, Interconnection Facilities, Network Upgrades and Distribution Upgrades.

5.17.5

Private Letter Ruling or Change or Clarification of Law. At Interconnection Customer's request and expense, Transmission Provider shall file with the IRS a request for a private letter ruling as to whether any property transferred or sums paid, or to be paid, by Interconnection Customer to Transmission Provider under this SLGIA are subject to federal income taxation. Interconnection Customer will prepare the initial draft of the request for a private letter ruling, and will certify under penalties of perjury that all facts represented in such request are true and accurate to the best of Interconnection Customer's knowledge. Transmission Provider and Interconnection Customer shall cooperate in good faith with

respect to the submission of such request.

Transmission Provider shall keep Interconnection Customer fully informed of the status of such request for a private letter ruling and shall execute either a privacy act waiver or a limited power of attorney, in a form acceptable to the IRS, that authorizes Interconnection Customer to participate in all discussions with the IRS regarding such request for a private letter ruling. Transmission Provider shall allow Interconnection Customer to attend all meetings with IRS officials about the request and shall permit Interconnection Customer to prepare the initial drafts of any follow-up letters in connection with the request.

5.17.6 Subsequent Taxable Events. If, within 10 years from the date on which the relevant Transmission Provider's Interconnection Facilities are placed in service, (i) Interconnection Customer Breaches the covenants contained in Article 5.17.2, (ii) a "disqualification event" occurs within the meaning of IRS Notice 88-129, or (iii) this SLGIA terminates and Transmission Provider retains ownership of the Interconnection Facilities and Network Upgrades, Interconnection Customer shall pay a tax gross-up for the cost consequences of any current tax liability imposed on Transmission Provider, calculated using the methodology described in Article 5.17.4 and in accordance with IRS Notice 90-60.

5.17.7 Contests. In the event any Governmental Authority determines that Transmission Provider's receipt of payments or property constitutes income that is subject to taxation, Transmission Provider shall notify Interconnection Customer, in writing, within thirty (30) Calendar Days of receiving notification of such determination by a Governmental Authority. Upon the timely written request by Interconnection Customer and at Interconnection Customer's sole expense,

Transmission Provider may appeal, protest, seek abatement of, or otherwise oppose such determination. Upon Interconnection Customer's written request and sole expense, Transmission Provider may file a claim for refund with respect to any taxes paid under this Article 5.17, whether or not it has received such a determination. Transmission Provider reserves the right to make all decisions with regard to the prosecution of such appeal, protest, abatement or other contest, including the selection of counsel and compromise or settlement of the claim, but Transmission Provider shall keep Interconnection Customer informed, shall consider in good faith suggestions from Interconnection Customer about the conduct of the contest, and shall reasonably permit Interconnection Customer or an Interconnection Customer representative to attend contest proceedings.

Interconnection Customer shall pay to Transmission Provider on a periodic basis, as invoiced by Transmission Provider, Transmission Provider's documented reasonable costs of prosecuting such appeal, protest, abatement or other contest. At any time during the contest, Transmission Provider may agree to a settlement either with Interconnection Customer's consent or after obtaining written advice from nationally-recognized tax counsel, selected by Transmission Provider, but reasonably acceptable to Interconnection Customer, that the proposed settlement represents a reasonable settlement given the hazards of litigation. Interconnection Customer's obligation shall be based on the amount of the settlement agreed to by Interconnection Customer, or if a higher amount, so much of the settlement that is supported by the written advice from nationally-recognized tax counsel selected under the terms of the preceding sentence. The settlement amount shall be calculated on a fully grossed-up basis to cover any related cost consequences of the current tax liability. Any settlement without Interconnection Customer's consent or such written advice will

relieve Interconnection Customer from any obligation to indemnify Transmission Provider for the tax at issue in the contest.

5.17.8

Refund. In the event that (a) a private letter ruling is issued to Transmission Provider which holds that any amount paid or the value of any property transferred by Interconnection Customer to Transmission Provider under the terms of this SLGIA is not subject to federal income taxation, (b) any legislative change or administrative announcement, notice, ruling or other determination makes it reasonably clear to Transmission Provider in good faith that any amount paid or the value of any property transferred by Interconnection Customer to Transmission Provider under the terms of this SLGIA is not taxable to Transmission Provider, (c) any abatement, appeal, protest, or other contest results in a determination that any payments or transfers made by Interconnection Customer to Transmission Provider are not subject to federal income tax, or (d) if Transmission Provider receives a refund from any taxing authority for any overpayment of tax attributable to any payment or property transfer made by Interconnection Customer to Transmission Provider pursuant to this SLGIA, Transmission Provider shall promptly refund to Interconnection Customer the following:

- (i) any payment made by Interconnection Customer under this Article 5.17 for taxes that is attributable to the amount determined to be non-taxable, together with interest thereon,
- (ii) interest on any amounts paid by Interconnection Customer to Transmission Provider for such taxes which Transmission Provider did not submit to the taxing authority, calculated in accordance with the methodology set forth in FERC's regulations at 18 CFR §35.19a(a)(2)(iii) from the date payment was made by Interconnection

Customer to the date Transmission Provider refunds such payment to Interconnection Customer, and

- (iii) with respect to any such taxes paid by Transmission Provider, any refund or credit Transmission Provider receives or to which it may be entitled from any Governmental Authority, interest (or that portion thereof attributable to the payment described in clause (i), above) owed to Transmission Provider for such overpayment of taxes (including any reduction in interest otherwise payable by Transmission Provider to any Governmental Authority resulting from an offset or credit); provided, however, that Transmission Provider will remit such amount promptly to Interconnection Customer only after and to the extent that Transmission Provider has received a tax refund, credit or offset from any Governmental Authority for any applicable overpayment of income tax related to Transmission Provider's Interconnection Facilities.

The intent of this provision is to leave the Parties, to the extent practicable, in the event that no taxes are due with respect to any payment for Interconnection Facilities and Network Upgrades hereunder, in the same position they would have been in had no such tax payments been made.

5.17.9 Taxes Other Than Income Taxes. Upon the timely request by Interconnection Customer, and at Interconnection Customer's sole expense, Transmission Provider may appeal, protest, seek abatement of, or otherwise contest any tax (other than federal or state income tax) asserted or assessed against Transmission Provider for which Interconnection Customer may be required to reimburse Transmission Provider under the terms of this SLGIA. Interconnection Customer shall pay to Transmission Provider on

a periodic basis, as invoiced by Transmission Provider, Transmission Provider's documented reasonable costs of prosecuting such appeal, protest, abatement, or other contest. Interconnection Customer and Transmission Provider shall cooperate in good faith with respect to any such contest. Unless the payment of such taxes is a prerequisite to an appeal or abatement or cannot be deferred, no amount shall be payable by Interconnection Customer to Transmission Provider for such taxes until they are assessed by a final, non-appealable order by any court or agency of competent jurisdiction. In the event that a tax payment is withheld and ultimately due and payable after appeal, Interconnection Customer will be responsible for all taxes, interest and penalties, other than penalties attributable to any delay caused by Transmission Provider.

5.17.10 Transmission Owners Who Are Not Transmission Providers. If Transmission Provider is not the same entity as the Transmission Owner, then (i) all references in this Article 5.17 to Transmission Provider shall be deemed also to refer to and to include the Transmission Owner, as appropriate, and (ii) this SLGIA shall not become effective until such Transmission Owner shall have agreed in writing to assume all of the duties and obligations of Transmission Provider under this Article 5.17 of this SLGIA.

5.18 Tax Status. Each Party shall cooperate with the other to maintain the other Party's tax status. Nothing in this SLGIA is intended to adversely affect any Transmission Provider's tax exempt status with respect to the issuance of bonds including, but not limited to, Local Furnishing Bonds.

5.19 Modification.

5.19.1 General. Either Party may undertake modifications to its facilities. If a Party plans to undertake a modification that reasonably may be expected to affect the other Party's facilities, that Party shall provide to the other Party sufficient information

regarding such modification so that the other Party may evaluate the potential impact of such modification prior to commencement of the work. Such information shall be deemed to be confidential hereunder and shall include information concerning the timing of such modifications and whether such modifications are expected to interrupt the flow of electricity from the Large Generating Facility. The Party desiring to perform such work shall provide the relevant drawings, plans, and specifications to the other Party at least ninety (90) Calendar Days in advance of the commencement of the work or such shorter period upon which the Parties may agree, which agreement shall not unreasonably be withheld, conditioned or delayed.

In the case of Large Generating Facility modifications that do not require Interconnection Customer to submit an Interconnection Request, Transmission Provider shall provide, within thirty (30) Calendar Days (or such other time as the Parties may agree), an estimate of any additional modifications to the Transmission System, Transmission Provider's Interconnection Facilities or Network Upgrades necessitated by such Interconnection Customer modification and a good faith estimate of the costs thereof.

5.19.2 Standards. Any additions, modifications, or replacements made to a Party's facilities shall be designed, constructed and operated in accordance with this SLGIA and Good Utility Practice.

5.19.3 Modification Costs. Interconnection Customer shall not be directly assigned for the costs of any additions, modifications, or replacements that Transmission Provider makes to Transmission Provider's Interconnection Facilities or the Transmission System to facilitate the interconnection of a third party to Transmission Provider's Interconnection Facilities or the Transmission System, or to provide transmission service to a third party

under Transmission Provider's Tariff. Interconnection Customer shall be responsible for the costs of any additions, modifications, or replacements to Interconnection Customer's Interconnection Facilities that may be necessary to maintain or upgrade such Interconnection Customer's Interconnection Facilities consistent with Applicable Laws and Regulations, Applicable Reliability Standards or Good Utility Practice.

Article 6. Testing and Inspection

6.1 Pre-Commercial Operation Date Testing and Modifications.

Prior to the Commercial Operation Date, Transmission Provider shall test Transmission Provider's Interconnection Facilities and Network Upgrades and Interconnection Customer shall test the Large Generating Facility and Interconnection Customer's Interconnection Facilities to ensure their safe and reliable operation. Similar testing may be required after initial operation. Each Party shall make any modifications to its facilities that are found to be necessary as a result of such testing. Interconnection Customer shall bear the cost of all such testing and modifications. Interconnection Customer shall generate test energy at the Large Generating Facility only if it has arranged for the delivery of such test energy.

6.2 Post-Commercial Operation Date Testing and Modifications.

Each Party shall at its own expense perform routine inspection and testing of its facilities and equipment in accordance with Good Utility Practice as may be necessary to ensure the continued interconnection of the Large Generating Facility with the Transmission System in a safe and reliable manner. Each Party shall have the right, upon advance written notice, to require reasonable additional testing of the other Party's facilities, at the requesting Party's expense, as may be in accordance with Good Utility Practice.

6.3 Right to Observe Testing. Each Party shall notify the other Party in advance of its performance of tests of its Interconnection Facilities. The other Party has the right, at its own expense, to observe such testing.

6.4 Right to Inspect. Each Party shall have the right, but

shall have no obligation to: (i) observe the other Party's tests and/or inspection of any of its System Protection Facilities and other protective equipment, including Power System Stabilizers; (ii) review the settings of the other Party's System Protection Facilities and other protective equipment; and (iii) review the other Party's maintenance records relative to the Interconnection Facilities, the System Protection Facilities and other protective equipment. A Party may exercise these rights from time to time as it deems necessary upon reasonable notice to the other Party. The exercise or non-exercise by a Party of any such rights shall not be construed as an endorsement or confirmation of any element or condition of the Interconnection Facilities or the System Protection Facilities or other protective equipment or the operation thereof, or as a warranty as to the fitness, safety, desirability, or reliability of same. Any information that a Party obtains through the exercise of any of its rights under this Article 6.4 shall be deemed to be Confidential Information and treated pursuant to Article 22 of this SLGIA.

Article 7. Metering

- 7.1 General.** Each Party shall comply with the Applicable Reliability Council requirements. Unless otherwise agreed by the Parties, Transmission Provider shall install Metering Equipment at the Point of Interconnection prior to any operation of the Large Generating Facility and shall own, operate, test and maintain such Metering Equipment. Power flows to and from the Large Generating Facility shall be measured at or, at Transmission Provider's option, compensated to, the Point of Interconnection. Transmission Provider shall provide metering quantities, in analog and/or digital form, to Interconnection Customer upon request. Interconnection Customer shall bear all reasonable documented costs associated with the purchase, installation, operation, testing and maintenance of the Metering Equipment.
- 7.2 Check Meters.** Interconnection Customer, at its option and expense, may install and operate, on its premises and on its side of the Point of Interconnection, one or more check meters to check Transmission Provider's meters. Such check meters shall be for check purposes only and shall not be used for the measurement of power flows for purposes of this SLGIA, except as provided in Article 7.4

below. The check meters shall be subject at all reasonable times to inspection and examination by Transmission Provider or its designee. The installation, operation and maintenance thereof shall be performed entirely by Interconnection Customer in accordance with Good Utility Practice.

- 7.3 Standards.** Transmission Provider shall install, calibrate, and test revenue quality Metering Equipment in accordance with applicable ANSI standards.
- 7.4 Testing of Metering Equipment.** Transmission Provider shall inspect and test all Transmission Provider-owned Metering Equipment upon installation and at least once every two (2) years thereafter. If requested to do so by Interconnection Customer, Transmission Provider shall, at Interconnection Customer's expense, inspect or test Metering Equipment more frequently than every two (2) years. Transmission Provider shall give reasonable notice of the time when any inspection or test shall take place, and Interconnection Customer may have representatives present at the test or inspection. If at any time Metering Equipment is found to be inaccurate or defective, it shall be adjusted, repaired or replaced at Interconnection Customer's expense, in order to provide accurate metering, unless the inaccuracy or defect is due to Transmission Provider's failure to maintain, then Transmission Provider shall pay. If Metering Equipment fails to register, or if the measurement made by Metering Equipment during a test varies by more than two percent from the measurement made by the standard meter used in the test, Transmission Provider shall adjust the measurements by correcting all measurements for the period during which Metering Equipment was in error by using Interconnection Customer's check meters, if installed. If no such check meters are installed or if the period cannot be reasonably ascertained, the adjustment shall be for the period immediately preceding the test of the Metering Equipment equal to one-half the time from the date of the last previous test of the Metering Equipment.
- 7.5 Metering Data.** At Interconnection Customer's expense, the metered data shall be telemetered to one or more locations designated by Transmission Provider and one or more locations designated by Interconnection Customer. Such telemetered data shall be used, under normal operating conditions, as the official measurement of the amount of

energy delivered from the Large Generating Facility to the Point of Interconnection.

Article 8. Communications

8.1 Interconnection Customer Obligations. Interconnection Customer shall maintain satisfactory operating communications with Transmission Provider's Transmission System dispatcher or representative designated by Transmission Provider. Interconnection Customer shall provide standard voice line, dedicated voice line and facsimile communications at its Large Generating Facility control room or central dispatch facility through use of either the public telephone system, or a voice communications system that does not rely on the public telephone system. Interconnection Customer shall also provide the dedicated data circuit(s) necessary to provide Interconnection Customer data to Transmission Provider as set forth in Appendix D, Security Arrangements Details. The data circuit(s) shall extend from the Large Generating Facility to the location(s) specified by Transmission Provider. Any required maintenance of such communications equipment shall be performed by Interconnection Customer. Operational communications shall be activated and maintained under, but not be limited to, the following events: system paralleling or separation, scheduled and unscheduled shutdowns, equipment clearances, and hourly and daily load data.

8.2 Remote Terminal Unit. Prior to the Initial Synchronization Date of the Large Generating Facility, a Remote Terminal Unit, or equivalent data collection and transfer equipment acceptable to the Parties, shall be installed by Interconnection Customer, or by Transmission Provider at Interconnection Customer's expense, to gather accumulated and instantaneous data to be telemetered to the location(s) designated by Transmission Provider through use of a dedicated point-to-point data circuit(s) as indicated in Article 8.1. The communication protocol for the data circuit(s) shall be specified by Transmission Provider. Instantaneous bi-directional analog real power and reactive power flow information must be telemetered directly to the location(s) specified by Transmission Provider.

Each Party will promptly advise the other Party if it detects or otherwise learns of any metering, telemetry or

communications equipment errors or malfunctions that require the attention and/or correction by the other Party. The Party owning such equipment shall correct such error or malfunction as soon as reasonably feasible.

8.3 No Annexation. Any and all equipment placed on the premises of a Party shall be and remain the property of the Party providing such equipment regardless of the mode and manner of annexation or attachment to real property, unless otherwise mutually agreed by the Parties.

8.4 Provision of Data from a Variable Energy Resource. The Interconnection Customer whose Generating Facility is a Variable Energy Resource shall provide meteorological and forced outage data to the Transmission Provider to the extent necessary for the Transmission Provider's development and deployment of power production forecasts for that class of Variable Energy Resources. The Interconnection Customer with a Variable Energy Resource having wind as the energy source, at a minimum, will be required to provide the Transmission Provider with site-specific meteorological data including: temperature, wind speed, wind direction, and atmospheric pressure. The Interconnection Customer with a Variable Energy Resource having solar as the energy source, at a minimum, will be required to provide the Transmission Provider with site-specific meteorological data including: temperature, atmospheric pressure, and irradiance. The Transmission Provider and Interconnection Customer whose Generating Facility is a Variable Energy Resource shall mutually agree to any additional meteorological data that are required for the development and deployment of a power production forecast. The Interconnection Customer whose Generating Facility is a Variable Energy Resource also shall submit data to the Transmission Provider regarding all forced outages to the extent necessary for the Transmission Provider's development and deployment of power production forecasts for that class of Variable Energy Resources. The exact specifications of the meteorological and forced outage data to be provided by the Interconnection Customer to the Transmission Provider, including the frequency and timing of data submittals, shall be made taking into account the size and configuration of the Variable Energy Resource, its characteristics, location, and its importance in maintaining generation resource adequacy and transmission system reliability in its area. All requirements for

meteorological and forced outage data must be commensurate with the power production forecasting employed by the Transmission Provider. Such requirements for meteorological and forced outage data are set forth in Appendix C, Interconnection Details, of this SLGIA, as they may change from time to time.

Article 9. Operations

- 9.1 General.** Each Party shall comply with the Applicable Reliability Council requirements. Each Party shall provide to the other Party all information that may reasonably be required by the other Party to comply with Applicable Laws and Regulations and Applicable Reliability Standards.
- 9.2 Control Area Notification.** At least three months before Initial Synchronization Date, Interconnection Customer shall notify Transmission Provider in writing of the Control Area in which the Large Generating Facility will be located. If Interconnection Customer elects to locate the Large Generating Facility in a Control Area other than the Control Area in which the Large Generating Facility is physically located, and if permitted to do so by the relevant transmission tariffs, all necessary arrangements, including but not limited to those set forth in Article 7 and Article 8 of this SLGIA, and remote Control Area generator interchange agreements, if applicable, and the appropriate measures under such agreements, shall be executed and implemented prior to the placement of the Large Generating Facility in the other Control Area.
- 9.3 Transmission Provider Obligations.** Transmission Provider shall cause the Transmission System and Transmission Provider's Interconnection Facilities to be operated, maintained and controlled in a safe and reliable manner and in accordance with this SLGIA. Transmission Provider may provide operating instructions to Interconnection Customer consistent with this SLGIA and Transmission Provider's operating protocols and procedures as they may change from time to time. Transmission Provider will consider changes to its operating protocols and procedures proposed by Interconnection Customer.
- 9.4 Interconnection Customer Obligations.** Interconnection Customer shall at its own expense operate, maintain and control the Large Generating Facility and Interconnection

Customer's Interconnection Facilities in a safe and reliable manner and in accordance with this SLGIA. Interconnection Customer shall operate the Large Generating Facility and Interconnection Customer's Interconnection Facilities in accordance with all applicable requirements of the Control Area of which it is part, as such requirements are set forth in Appendix C, Interconnection Details, of this SLGIA. Appendix C, Interconnection Details, will be modified to reflect changes to the requirements as they may change from time to time. Either Party may request that the other Party provide copies of the requirements set forth in Appendix C, Interconnection Details, of this SLGIA.

9.5 Start-Up and Synchronization. Consistent with the Parties' mutually acceptable procedures, Interconnection Customer is responsible for the proper synchronization of the Large Generating Facility to Transmission Provider's Transmission System.

9.6 Reactive Power and Primary Frequency Response.

9.6.1 Power Factor Design Criteria. Interconnection Customer shall design the Large Generating Facility to maintain a composite power delivery at continuous rated power output at the Point of Interconnection at a power factor within the range of 0.95 leading to 0.95 lagging, unless Transmission Provider has established different requirements that apply to all generators in the Control Area on a comparable basis. The requirements of this paragraph shall not apply to wind generators.

9.6.1.1 Synchronous Generation.

Interconnection Customer shall design the Large Generating Facility to maintain a composite power deliver at continuous rated power output at the Point of Interconnection at a power factor within the range of 0.95 leading to 0.95 lagging, unless the Transmission Provider has established different requirements that apply to all synchronous generators in the Control Area on a comparable basis.

9.6.1.2 Non-Synchronous Generation.

Interconnection Customer shall design the Large Generating Facility to maintain composite power delivery at continuous rated power output at the high-side of the generator substation at a power factor within the range of 0.95 leading to 0.95 lagging, unless the Transmission Provider has established a different power factor range that applies to all non-synchronous generators in the Control Area on a comparable basis. This power factor range standard shall be dynamic and can be met using, for example, power electronics designed to supply this level of reactive capability (taking into account any limitations due to voltage level, real power output, etc.) or fixed and switched capacitors, or a combination of the two. This requirement shall only apply to newly interconnecting non-synchronous generators that have not yet executed a Facilities Study Agreement as of the effective date of the Final Rule establishing this requirement (Order No. 827).

9.6.2

Voltage Schedules. Once Interconnection Customer has synchronized the Large Generating Facility with the Transmission System, Transmission Provider shall require Interconnection Customer to operate the Large Generating Facility to produce or absorb reactive power within the design limitations of the Large Generating Facility set forth in Article 9.6.1 (Power Factor Design Criteria). Transmission Provider's voltage schedules shall treat all sources of reactive power in the Control Area in an equitable and not unduly discriminatory manner. Transmission Provider shall exercise Reasonable Efforts to provide Interconnection Customer with such schedules at least one (1) day in advance, and may make changes to such schedules as necessary to maintain the reliability of the Transmission

System. Interconnection Customer shall operate the Large Generating Facility to maintain the specified output voltage or power factor at the Point of Interconnection within the design limitations of the Large Generating Facility set forth in Article 9.6.1 (Power Factor Design Criteria). If Interconnection Customer is unable to maintain the specified voltage or power factor, it shall promptly notify the System Operator.

9.6.2.1 Voltage Regulators. Whenever the Large Generating Facility is operated in parallel with the Transmission System and voltage regulators are capable of operation, Interconnection Customer shall operate the Large Generating Facility with its voltage regulators in automatic operation. If the Large Generating Facility's voltage regulators are not capable of such automatic operation, Interconnection Customer shall immediately notify Transmission Provider's system operator, or its designated representative, and ensure that such Large Generating Facility's reactive power production or absorption (measured in MVARs) are within the design capability of the Large Generating Facility's generating unit(s) and steady state stability limits. Interconnection Customer shall not cause its Large Generating Facility to disconnect automatically or instantaneously from the Transmission System or trip any generating unit comprising the Large Generating Facility for an under or over frequency condition unless the abnormal frequency condition persists for a time period beyond the limits set forth in ANSI/IEEE Standard C37.106, or such other standard as applied to other generators in the Control Area on a comparable basis.

9.6.3 Payment for Reactive Power. Transmission Provider is required to pay Interconnection Customer for reactive power that Interconnection Customer provides or absorbs from the Large Generating Facility when Transmission Provider requests Interconnection Customer to operate its Large Generating Facility outside the range specified in Article 9.6.1, provided that if Transmission Provider pays its own or affiliated generators for reactive power service within the specified range, it must also pay Interconnection Customer. Payments shall be pursuant to Article 11.6 or such other agreement to which the Parties have otherwise agreed.

9.6.4 Primary Frequency Response. Interconnection Customer shall ensure the primary frequency response capability of its Large Generating Facility by installing, maintaining, and operating a functioning governor or equivalent controls. The term "functioning governor or equivalent controls" as used herein shall mean the required hardware and/or software that provides frequency responsive real power control with the ability to sense changes in system frequency and autonomously adjust the Large Generating Facility's real power output in accordance with the droop and deadband parameters and in the direction needed to correct frequency deviations. Interconnection Customer is required to install a governor or equivalent controls with the capability of operating: (1) with a maximum 5 percent droop and ± 0.036 Hz deadband; or (2) in accordance with the relevant droop, deadband, and timely and sustained response settings from an approved NERC Reliability Standard providing for equivalent or more stringent parameters. The droop characteristic shall be: (1) based on the nameplate capacity of the Large Generating Facility, and shall be linear in the range of frequencies between 59 to 61 Hz that are outside of the deadband parameter; or (2) based on an approved NERC Reliability Standard providing for an equivalent or more stringent parameter. The deadband parameter shall be: the range of frequencies above and below nominal (60 Hz) in which the governor or equivalent controls is not

expected to adjust the Large Generating Facility's real power output in response to frequency deviations. The deadband shall be implemented: (1) without a step to the droop curve, that is, once the frequency deviation exceeds the deadband parameter, the expected change in the Large Generating Facility's real power output in response to frequency deviations shall start from zero and then increase (for under-frequency deviations) or decrease (for over-frequency deviations) linearly in proportion to the magnitude of the frequency deviation; or (2) in accordance with an approved NERC Reliability Standard providing for an equivalent or more stringent parameter. Interconnection Customer shall notify Transmission Provider that the primary frequency response capability of the Large Generating Facility has been tested and confirmed during commissioning. Once Interconnection Customer has synchronized the Large Generating Facility with the Transmission System, Interconnection Customer shall operate the Large Generating Facility consistent with the provisions specified in Sections 9.6.4.1 and 9.6.4.2 of this Agreement. The primary frequency response requirements contained herein shall apply to both synchronous and non-synchronous Large Generating Facilities.

9.6.4.1 Governor or Equivalent Controls.

Whenever the Large Generating Facility is operated in parallel with the Transmission System, Interconnection Customer shall operate the Large Generating Facility with its governor or equivalent controls in service and responsive to frequency.

Interconnection Customer shall: (1) in coordination with Transmission Provider and/or the relevant balancing authority, set the deadband parameter to: (1) a maximum of ± 0.036 Hz and set the droop parameter to a maximum of 5 percent; or (2) implement the relevant droop and deadband settings from an approved NERC Reliability Standard that provides for equivalent or more

stringent parameters. Interconnection Customer shall be required to provide the status and settings of the governor or equivalent controls to Transmission Provider and/or the relevant balancing authority upon request. If Interconnection Customer needs to operate the Large Generating Facility with its governor or equivalent controls not in service, Interconnection Customer shall immediately notify Transmission Provider and the relevant balancing authority, and provide both with the following information: (1) the operating status of the governor or equivalent controls (i.e., whether it is currently out of service or when it will be taken out of service); (2) the reasons for removing the governor or equivalent controls from service; and (3) a reasonable estimate of when the governor or equivalent controls will be returned to service.

Interconnection Customer shall make Reasonable Efforts to return its governor or equivalent controls into service as soon as practicable.

Interconnection Customer shall make Reasonable Efforts to keep outages of the Large Generating Facility's governor or equivalent controls to a minimum whenever the Large Generating Facility is operated in parallel with the Transmission System.

9.6.4.2 Timely and Sustained Response.

Interconnection Customer shall ensure that the Large Generating Facility's real power response to sustained frequency deviations outside of the deadband setting is automatically provided and shall begin immediately after frequency deviates outside of the deadband, and to the extent the Large Generating Facility has operating capability in the direction

needed to correct the frequency deviation. Interconnection Customer shall not block or otherwise inhibit the ability of the governor or equivalent controls to respond and shall ensure that the response is not inhibited, except under certain operational constraints including, but not limited to, ambient temperature limitations, physical energy limitations, outages of mechanical equipment, or regulatory requirements. The Large Generating Facility shall sustain the real power response at least until system frequency returns to a value within the deadband setting of the governor or equivalent controls. A Commission-approved Reliability Standard with equivalent or more stringent requirements shall supersede the above requirements.

9.6.4.3 Exemptions. Large Generating Facilities that are regulated by the United States Nuclear Regulatory Commission shall be exempt from Sections 9.6.4, 9.6.4.1, and 9.6.4.2 of this Agreement. Large Generating Facilities that are behind the meter generation that is sized-to-load (i.e., the thermal load and the generation are near-balanced in real-time operation and the generation is primarily controlled to maintain the unique thermal, chemical, or mechanical output necessary for the operating requirements of its host facility) shall be required to install primary frequency response capability in accordance with the droop and deadband capability requirements specified in Section 9.6.4, but shall be otherwise exempt from the operating requirements in Sections 9.6.4, 9.6.4.1, 9.6.4.2, and 9.6.4.4 of this Agreement.

9.6.4.4 Electric Storage Resources.

Interconnection Customer interconnecting an electric storage resource shall establish an operating range in Appendix C of its SLGIA that specifies a minimum state of charge and a maximum state of charge between which the electric storage resource will be required to provide primary frequency response consistent with the conditions set forth in Sections 9.6.4, 9.6.4.1, 9.6.4.2, and 9.6.4.3 of this Agreement. Appendix C shall specify whether the operating range is static or dynamic, and shall consider (1) the expected magnitude of frequency deviations in the interconnection; (2) the expected duration that system frequency will remain outside of the deadband parameter in the interconnection; (3) the expected incidence of frequency deviations outside of the deadband parameter in the interconnection; (4) the physical capabilities of the electric storage resource; (5) operational limitations of the electric storage resource due to manufacturer specifications; and (6) any other relevant factors agreed to by Transmission Provider and Interconnection Customer, and in consultation with the relevant transmission owner or balancing authority as appropriate. If the operating range is dynamic, then Appendix C must establish how frequently the operating range will be reevaluated and the factors that may be considered during its reevaluation.

Interconnection Customer's electric storage resource is required to provide timely and sustained primary frequency response consistent with Section 9.6.4.2 of this Agreement when it is online and dispatched to inject

electricity to the Transmission System and/or receive electricity from the Transmission System. This excludes circumstances when the electric storage resource is not dispatched to inject electricity to the Transmission System and/or dispatched to receive electricity from the Transmission System. If Interconnection Customer's electric storage resource is charging at the time of a frequency deviation outside of its deadband parameter, it is to increase (for over-frequency deviations) or decrease (for under-frequency deviations) the rate at which it is charging in accordance with its droop parameter. Interconnection Customer's electric storage resource is not required to change from charging to discharging, or vice versa, unless the response necessitated by the droop and deadband settings requires it to do so and it is technically capable of making such a transition.

9.7 Outages and Interruptions.

9.7.1 Outages.

9.7.1.1 Outage Authority and Coordination.

Each Party may in accordance with Good Utility Practice in coordination with the other Party remove from service any of its respective Interconnection Facilities or Network Upgrades that may impact the other Party's facilities as necessary to perform maintenance or testing or to install or replace equipment. Absent an Emergency Condition, the Party scheduling a removal of such facility(ies) from service will use Reasonable Efforts to schedule such removal on a date and time mutually acceptable to the Parties. In all circumstances, any Party planning to

remove such facility(ies) from service shall use Reasonable Efforts to minimize the effect on the other Party of such removal.

9.7.1.2 Outage Schedules. Transmission Provider shall post scheduled outages of its transmission facilities on the OASIS. Interconnection Customer shall submit its planned maintenance schedules for the Large Generating Facility to Transmission Provider for a minimum of a rolling twenty-four month period. Interconnection Customer shall update its planned maintenance schedules as necessary. Transmission Provider may request Interconnection Customer to reschedule its maintenance as necessary to maintain the reliability of the Transmission System; provided, however, adequacy of generation supply shall not be a criterion in determining Transmission System reliability. Transmission Provider shall compensate Interconnection Customer for any additional direct costs that Interconnection Customer incurs as a result of having to reschedule maintenance, including any additional overtime, breaking of maintenance contracts or other costs above and beyond the cost Interconnection Customer would have incurred absent Transmission Provider's request to reschedule maintenance. Interconnection Customer will not be eligible to receive compensation, if during the twelve (12) months prior to the date of the scheduled maintenance, Interconnection Customer had modified its schedule of maintenance activities.

9.7.1.3 Outage Restoration. If an outage on a Party's Interconnection Facilities or Network Upgrades adversely affects the

other Party's operations or facilities, the Party that owns or controls the facility that is out of service shall use Reasonable Efforts to promptly restore such facility(ies) to a normal operating condition consistent with the nature of the outage. The Party that owns or controls the facility that is out of service shall provide the other Party, to the extent such information is known, information on the nature of the Emergency Condition, an estimated time of restoration, and any corrective actions required. Initial verbal notice shall be followed up as soon as practicable with written notice explaining the nature of the outage.

- 9.7.2** **Interruption of Service.** If required by Good Utility Practice to do so, Transmission Provider may require Interconnection Customer to interrupt or reduce deliveries of electricity if such delivery of electricity could adversely affect Transmission Provider's ability to perform such activities as are necessary to safely and reliably operate and maintain the Transmission System. The following provisions shall apply to any interruption or reduction permitted under this Article 9.7.2:
- 9.7.2.1** The interruption or reduction shall continue only for so long as reasonably necessary under Good Utility Practice;
 - 9.7.2.2** Any such interruption or reduction shall be made on an equitable, non-discriminatory basis with respect to all generating facilities directly connected to the Transmission System;
 - 9.7.2.3** When the interruption or reduction must be made under circumstances which do not allow for advance notice,

Transmission Provider shall notify Interconnection Customer by telephone as soon as practicable of the reasons for the curtailment, interruption, or reduction, and, if known, its expected duration. Telephone notification shall be followed by written notification as soon as practicable;

9.7.2.4 Except during the existence of an Emergency Condition, when the interruption or reduction can be scheduled without advance notice, Transmission Provider shall notify Interconnection Customer in advance regarding the timing of such scheduling and further notify Interconnection Customer of the expected duration. Transmission Provider shall coordinate with Interconnection Customer using Good Utility Practice to schedule the interruption or reduction during periods of least impact to Interconnection Customer and Transmission Provider;

9.7.2.5 The Parties shall cooperate and coordinate with each other to the extent necessary in order to restore the Large Generating Facility, Interconnection Facilities, and the Transmission System to their normal operating state, consistent with system conditions and Good Utility Practice.

9.7.3 Under-Frequency and Over Frequency Conditions.

The Transmission System is designed to automatically activate a load-shed program as required by the Applicable Reliability Council in the event of an under-frequency system disturbance. Interconnection Customer shall implement under-frequency and over-frequency relay set points for the Large Generating Facility as required by the Applicable Reliability Council to ensure "ride through"

capability of the Transmission System. Large Generating Facility response to frequency deviations of pre-determined magnitudes, both under-frequency and over-frequency deviations, shall be studied and coordinated with Transmission Provider in accordance with Good Utility Practice. The term "ride through" as used herein shall mean the ability of a Generating Facility to stay connected to and synchronized with the Transmission System during system disturbances within a range of under-frequency and over-frequency conditions, in accordance with Good Utility Practice.

9.7.4 System Protection and Other Control Requirements.

9.7.4.1 System Protection Facilities.

Interconnection Customer shall, at its expense, install, operate and maintain System Protection Facilities as a part of the Large Generating Facility or Interconnection Customer's Interconnection Facilities. Transmission Provider shall install at Interconnection Customer's expense any System Protection Facilities that may be required on Transmission Provider's Interconnection Facilities or the Transmission System as a result of the interconnection of the Large Generating Facility and Interconnection Customer's Interconnection Facilities.

9.7.4.2 Each Party's protection facilities shall be designed and coordinated with other systems in accordance with Good Utility Practice.

9.7.4.3 Each Party shall be responsible for protection of its facilities consistent with Good Utility Practice.

9.7.4.4 Each Party's protective relay design shall incorporate the necessary test switches to perform the tests required

in Article 6. The required test switches will be placed such that they allow operation of lockout relays while preventing breaker failure schemes from operating and causing unnecessary breaker operations and/or the tripping of Interconnection Customer's units.

9.7.4.5 Each Party will test, operate and maintain System Protection Facilities in accordance with Good Utility Practice.

9.7.4.6 Prior to the In-Service Date, and again prior to the Commercial Operation Date, each Party or its agent shall perform a complete calibration test and functional trip test of the System Protection Facilities. At intervals suggested by Good Utility Practice and following any apparent malfunction of the System Protection Facilities, each Party shall perform both calibration and functional trip tests of its System Protection Facilities. These tests do not require the tripping of any in-service generation unit. These tests do, however, require that all protective relays and lockout contacts be activated.

9.7.5 **Requirements for Protection.** In compliance with Good Utility Practice, Interconnection Customer shall provide, install, own, and maintain relays, circuit breakers and all other devices necessary to remove any fault contribution of the Large Generating Facility to any short circuit occurring on the Transmission System not otherwise isolated by Transmission Provider's equipment, such that the removal of the fault contribution shall be coordinated with the protective requirements of the Transmission System. Such protective equipment shall include, without limitation, a disconnecting device or switch with load-

interrupting capability located between the Large Generating Facility and the Transmission System at a site selected upon mutual agreement (not to be unreasonably withheld, conditioned or delayed) of the Parties. Interconnection Customer shall be responsible for protection of the Large Generating Facility and Interconnection Customer's other equipment from such conditions as negative sequence currents, over- or under-frequency, sudden load rejection, over- or under-voltage, and generator loss-of-field. Interconnection Customer shall be solely responsible to disconnect the Large Generating Facility and Interconnection Customer's other equipment if conditions on the Transmission System could adversely affect the Large Generating Facility.

9.7.6 Power Quality. Neither Party's facilities shall cause excessive voltage flicker nor introduce excessive distortion to the sinusoidal voltage or current waves as defined by ANSI Standard C84.1-1989, in accordance with IEEE Standard 519, or any applicable superseding electric industry standard. In the event of a conflict between ANSI Standard C84.1-1989, or any applicable superseding electric industry standard, ANSI Standard C84.1-1989, or the applicable superseding electric industry standard, shall control.

9.8 Switching and Tagging Rules. Each Party shall provide the other Party a copy of its switching and tagging rules that are applicable to the other Party's activities. Such switching and tagging rules shall be developed on a non-discriminatory basis. The Parties shall comply with applicable switching and tagging rules, as amended from time to time, in obtaining clearances for work or for switching operations on equipment.

9.9 Use of Interconnection Facilities by Third Parties.

9.9.1 Purpose of Interconnection Facilities. Except as may be required by Applicable Laws and Regulations, or as otherwise agreed to among the Parties, the Interconnection Facilities shall be constructed for the sole purpose of

interconnecting the Large Generating Facility to the Transmission System and shall be used for no other purpose.

9.9.2 Third Party Users. If required by Applicable Laws and Regulations or if the Parties mutually agree, such agreement not to be unreasonably withheld, to allow one or more third parties to use Transmission Provider's Interconnection Facilities, or any part thereof, Interconnection Customer will be entitled to compensation for the capital expenses it incurred in connection with the Interconnection Facilities based upon the pro rata use of the Interconnection Facilities by Transmission Provider, all third party users, and Interconnection Customer, in accordance with Applicable Laws and Regulations or upon some other mutually-agreed upon methodology. In addition, cost responsibility for ongoing costs, including operation and maintenance costs associated with the Interconnection Facilities, will be allocated between Interconnection Customer and any third party users based upon the pro rata use of the Interconnection Facilities by Transmission Provider, all third party users, and Interconnection Customer, in accordance with Applicable Laws and Regulations or upon some other mutually agreed upon methodology. If the issue of such compensation or allocation cannot be resolved through such negotiations, it shall be submitted to FERC for resolution.

9.10 Disturbance Analysis Data Exchange. The Parties will cooperate with one another in the analysis of disturbances to either the Large Generating Facility or Transmission Provider's Transmission System by gathering and providing access to any information relating to any disturbance, including information from oscillography, protective relay targets, breaker operations and sequence of events records, and any disturbance information required by Good Utility Practice.

Article 10. Maintenance

10.1 Transmission Provider Obligations. Transmission Provider

shall maintain the Transmission System and Transmission Provider's Interconnection Facilities in a safe and reliable manner and in accordance with this SLGIA.

- 10.2 Interconnection Customer Obligations.** Interconnection Customer shall maintain the Large Generating Facility and Interconnection Customer's Interconnection Facilities in a safe and reliable manner and in accordance with this SLGIA.
- 10.3 Coordination.** The Parties shall confer regularly to coordinate the planning, scheduling and performance of preventive and corrective maintenance on the Large Generating Facility and the Interconnection Facilities.
- 10.4 Secondary Systems.** Each Party shall cooperate with the other in the inspection, maintenance, and testing of control or power circuits that operate below 600 volts, AC or DC, including, but not limited to, any hardware, control or protective devices, cables, conductors, electric raceways, secondary equipment panels, transducers, batteries, chargers, and voltage and current transformers that directly affect the operation of a Party's facilities and equipment which may reasonably be expected to impact the other Party. Each Party shall provide advance notice to the other Party before undertaking any work on such circuits, especially on electrical circuits involving circuit breaker trip and close contacts, current transformers, or potential transformers.
- 10.5 Operating and Maintenance Expenses.** Subject to the provisions herein addressing the use of facilities by others, and except for operations and maintenance expenses associated with modifications made for providing interconnection or transmission service to a third party and such third party pays for such expenses, Interconnection Customer shall be responsible for all reasonable expenses including overheads, associated with: (1) owning, operating, maintaining, repairing, and replacing Interconnection Customer's Interconnection Facilities; and (2) operation, maintenance, repair and replacement of Transmission Provider's Interconnection Facilities.

Article 11. Performance Obligation

11.1 Interconnection Customer Interconnection Facilities.

Interconnection Customer shall design, procure, construct, install, own and/or control Interconnection Customer Interconnection Facilities described in Appendix A, Interconnection Facilities, Network Upgrades and Distribution Upgrades, at its sole expense.

11.2 Transmission Provider's Interconnection Facilities.

Transmission Provider or Transmission Owner shall design, procure, construct, install, own and/or control the Transmission Provider's Interconnection Facilities described in Appendix A, Interconnection Facilities, Network Upgrades and Distribution Upgrades, at the sole expense of the Interconnection Customer.

11.3 Network Upgrades and Distribution Upgrades.

Transmission Provider or Transmission Owner shall design, procure, construct, install, and own the Network Upgrades and Distribution Upgrades described in Appendix A, Interconnection Facilities, Network Upgrades and Distribution Upgrades. The Interconnection Customer shall be responsible for all costs related to Distribution Upgrades. Unless Transmission Provider or Transmission Owner elects to fund the capital for the Network Upgrades, they shall be solely funded by Interconnection Customer. In the event that Transmission Provider must change the voltage levels of a discrete portion of the Transmission System to which the Interconnection Customer is connected, Transmission Provider shall give reasonable notice of such change and the Interconnection Customer shall be solely responsible for all costs related to upgrades or modifications to Interconnection Customer's Interconnection Facilities resulting from Transmission Provider's increase in the voltage levels of the Transmission System, in order to remain interconnected with the Transmission System at the new operating voltage. To the extent that the modifications necessary to upgrade Interconnection Facilities qualify as Network Upgrades, Transmission Provider shall be solely responsible for the expense of such modifications or upgrades.

11.4 Transmission Credits.

11.4.1 Repayment of Amounts Advanced for Network Upgrades. Interconnection Customer shall be entitled to a cash repayment, equal to the total amount paid to Transmission Provider and

Affected System Operator, if any, for the Network Upgrades, including any tax gross-up or other tax-related payments associated with Network Upgrades, and not refunded to Interconnection Customer pursuant to Article 5.17.8 or otherwise, to be paid to Interconnection Customer on a dollar-for-dollar basis for the non-usage sensitive portion of transmission charges, as payments are made under Transmission Provider's Tariff and Affected System's Tariff for transmission services with respect to the Large Generating Facility. Any repayment shall include interest calculated in accordance with the methodology set forth in FERC's regulations at 18 C.F.R. § 35.19a(a)(2)(iii) from the date of any payment for Network Upgrades through the date on which the Interconnection Customer receives a repayment of such payment pursuant to this subparagraph. Interconnection Customer may assign such repayment rights to any person.

Notwithstanding the foregoing, Interconnection Customer, Transmission Provider, and Affected System Operator may adopt any alternative payment schedule that is mutually agreeable so long as Transmission Provider and Affected System Operator take one of the following actions no later than five years from the Commercial Operation Date: (1) return to Interconnection Customer any amounts advanced for Network Upgrades not previously repaid, or (2) declare in writing that Transmission Provider or Affected System Operator will continue to provide payments to Interconnection Customer on a dollar-for-dollar basis for the non-usage sensitive portion of transmission charges, or develop an alternative schedule that is mutually agreeable and provides for the return of all amounts advanced for Network Upgrades not previously repaid; however, full reimbursement shall not extend beyond twenty (20) years from the Commercial Operation Date.

If the Large Generating Facility fails to achieve commercial operation, but it or another Generating Facility is later constructed and

makes use of the Network Upgrades, Transmission Provider and Affected System Operator shall at that time reimburse Interconnection Customer for the amounts advanced for the Network Upgrades. Before any such reimbursement can occur, the Interconnection Customer, or the entity that ultimately constructs the Generating Facility, if different, is responsible for identifying the entity to which reimbursement must be made.

11.4.2 Special Provisions for Affected Systems.

Unless Transmission Provider provides, under the SLGIA, for the repayment of amounts advanced to Affected System Operator for Network Upgrades, Interconnection Customer and Affected System Operator shall enter into an agreement that provides for such repayment. The agreement shall specify the terms governing payments to be made by Interconnection Customer to the Affected System Operator as well as the repayment by the Affected System Operator.

11.4.3

Notwithstanding any other provision of this SLGIA, nothing herein shall be construed as relinquishing or foreclosing any rights, including but not limited to firm transmission rights, capacity rights, transmission congestion rights, or transmission credits, that Interconnection Customer, shall be entitled to, now or in the future under any other agreement or tariff as a result of, or otherwise associated with, the transmission capacity, if any, created by the Network Upgrades, including the right to obtain cash reimbursements or transmission credits for transmission service that is not associated with the Large Generating Facility.

11.5 Provision of Security. At least thirty (30) Calendar Days prior to the commencement of the first of the following to occur: design, procurement, installation, or construction of a discrete portion of a Transmission Provider's Interconnection Facilities, Network Upgrades, or Distribution Upgrades, Interconnection Customer shall provide Transmission Provider, at Interconnection Customer's option, a guarantee, a surety bond, letter of

credit or other form of security that is reasonably acceptable to Transmission Provider and is consistent with the Uniform Commercial Code of the jurisdiction identified in Article 14.2.1. Such security for payment shall be in an amount sufficient to cover the costs for constructing, designing, procuring, and installing the applicable portion of Transmission Provider's Interconnection Facilities, Network Upgrades, or Distribution Upgrades and shall be reduced on a dollar-for-dollar basis for payments made to Transmission Provider for these purposes.

In addition:

11.5.1 The guarantee must be made by an entity that meets the creditworthiness requirements of Transmission Provider, and contain terms and conditions that guarantee payment of any amount that may be due from Interconnection Customer, up to an agreed-to maximum amount.

11.5.2 The letter of credit must be issued by a financial institution reasonably acceptable to Transmission Provider and must indicate that it would only expire upon final payment made to Transmission Provider to cover all relevant costs for designing, procuring, installing, and constructing the applicable portion of Interconnection Facilities, Network Upgrades, or Distribution Upgrades for which the letter of credit was provided.

11.5.3 The surety bond must be issued by an insurer reasonably acceptable to Transmission Provider and must indicate that it would only expire upon final payment made to Transmission Provider to cover all relevant costs for designing, procuring, installing, and constructing the applicable portion of Interconnection Facilities, Network Upgrades, or Distribution Upgrades for which the surety bond was provided.

11.6 Interconnection Customer Compensation. If Transmission Provider requests or directs Interconnection Customer to provide a service pursuant to Articles 9.6.3 (Payment for Reactive Power), or 13.5.1 of this SLGIA, Transmission Provider shall compensate Interconnection Customer in

accordance with Interconnection Customer's applicable rate schedule then in effect unless the provision of such service(s) is subject to an RTO or ISO FERC-approved rate schedule. Interconnection Customer shall serve Transmission Provider or RTO or ISO with any filing of a proposed rate schedule at the time of such filing with FERC. To the extent that no rate schedule is in effect at the time the Interconnection Customer is required to provide or absorb any Reactive Power under this SLGIA, Transmission Provider agrees to compensate Interconnection Customer in such amount as would have been due Interconnection Customer had the rate schedule been in effect at the time service commenced; provided, however, that such rate schedule must be filed at FERC or other appropriate Governmental Authority within sixty (60) Calendar Days of the commencement of service.

11.6.1 Interconnection Customer Compensation for Actions During Emergency Condition.

Transmission Provider or RTO or ISO shall compensate Interconnection Customer for its provision of real and reactive power and other Emergency Condition services that Interconnection Customer provides to support the Transmission System during an Emergency Condition in accordance with Article 11.6.

Article 12. Invoice

12.1 General. Each Party shall submit to the other Party, on a monthly basis, invoices of amounts due for the preceding month. Each invoice shall state the month to which the invoice applies and fully describe the services and equipment provided. The Parties may discharge mutual debts and payment obligations due and owing to each other on the same date through netting, in which case all amounts a Party owes to the other Party under this SLGIA, including interest payments or credits, shall be netted so that only the net amount remaining due shall be paid by the owing Party.

12.2 Final Invoice. Within six months after completion of the construction of Transmission Provider's Interconnection Facilities and the Network Upgrades, Transmission Provider shall provide an invoice of the final cost of the construction of Transmission Provider's Interconnection Facilities and the Network Upgrades and shall set forth

such costs in sufficient detail to enable Interconnection Customer to compare the actual costs with the estimates and to ascertain deviations, if any, from the cost estimates. Transmission Provider shall refund to Interconnection Customer any amount by which the actual payment by Interconnection Customer for estimated costs exceeds the actual costs of construction within thirty (30) Calendar Days of the issuance of such final construction invoice.

12.3 Payment. Invoices shall be rendered to the paying Party at the address specified in Appendix F. The Party receiving the invoice shall pay the invoice within thirty (30) Calendar Days of receipt. All payments shall be made in immediately available funds payable to the other Party, or by wire transfer to a bank named and account designated by the invoicing Party. Payment of invoices by either Party will not constitute a waiver of any rights or claims either Party may have under this SLGIA.

12.4 Disputes. In the event of a billing dispute between Transmission Provider and Interconnection Customer, Transmission Provider shall continue to provide Interconnection Service under this SLGIA as long as Interconnection Customer: (i) continues to make all payments not in dispute; and (ii) pays to Transmission Provider or into an independent escrow account the portion of the invoice in dispute, pending resolution of such dispute. If Interconnection Customer fails to meet these two requirements for continuation of service, then Transmission Provider may provide notice to Interconnection Customer of a Default pursuant to Article 17. Within thirty (30) Calendar Days after the resolution of the dispute, the Party that owes money to the other Party shall pay the amount due with interest calculated in accord with the methodology set forth in FERC's regulations at 18 CFR § 35.19a(a) (2) (iii).

Article 13. Emergencies

13.1 Definition. "Emergency Condition" shall mean a condition or situation: (i) that in the judgment of the Party making the claim is imminently likely to endanger life or property; or (ii) that, in the case of Transmission Provider, is imminently likely (as determined in a non-discriminatory manner) to cause a material adverse effect on the security of, or damage to the Transmission System,

Transmission Provider's Interconnection Facilities or the Transmission Systems of others to which the Transmission System is directly connected; or (iii) that, in the case of Interconnection Customer, is imminently likely (as determined in a non-discriminatory manner) to cause a material adverse effect on the security of, or damage to, the Large Generating Facility or Interconnection Customer's Interconnection Facilities' System restoration and black start shall be considered Emergency Conditions; provided, that Interconnection Customer is not obligated by this SLGIA to possess black start capability.

13.2 Obligations. Each Party shall comply with the Emergency Condition procedures of the applicable ISO/RTO, NERC, the Applicable Reliability Council, Applicable Laws and Regulations, and any emergency procedures agreed to by the Joint Operating Committee.

13.3 Notice. Transmission Provider shall notify Interconnection Customer promptly when it becomes aware of an Emergency Condition that affects Transmission Provider's Interconnection Facilities or the Transmission System that may reasonably be expected to affect Interconnection Customer's operation of the Large Generating Facility or Interconnection Customer's Interconnection Facilities. Interconnection Customer shall notify Transmission Provider promptly when it becomes aware of an Emergency Condition that affects the Large Generating Facility or Interconnection Customer's Interconnection Facilities that may reasonably be expected to affect the Transmission System or Transmission Provider's Interconnection Facilities. To the extent information is known, the notification shall describe the Emergency Condition, the extent of the damage or deficiency, the expected effect on the operation of Interconnection Customer's or Transmission Provider's facilities and operations, its anticipated duration and the corrective action taken and/or to be taken. The initial notice shall be followed as soon as practicable with written notice.

13.4 Immediate Action. Unless, in Interconnection Customer's reasonable judgment, immediate action is required, Interconnection Customer shall obtain the consent of Transmission Provider, such consent to not be unreasonably withheld, prior to performing any manual switching operations at the Large Generating Facility or Interconnection Customer's Interconnection Facilities in response to an Emergency Condition either declared by Transmission Provider or otherwise regarding the Transmission System.

13.5 Transmission Provider Authority.

13.5.1 General. Transmission Provider may take whatever actions or inactions with regard to the Transmission System or Transmission Provider's Interconnection Facilities it deems necessary during an Emergency Condition in order to (i) preserve public health and safety, (ii) preserve the reliability of the Transmission System or Transmission Provider's Interconnection Facilities, (iii) limit or prevent damage, and (iv) expedite restoration of service.

Transmission Provider shall use Reasonable Efforts to minimize the effect of such actions or inactions on the Large Generating Facility or Interconnection Customer's Interconnection Facilities. Transmission Provider may, on the basis of technical considerations, require the Large Generating Facility to mitigate an Emergency Condition by taking actions necessary and limited in scope to remedy the Emergency Condition, including, but not limited to, directing Interconnection Customer to shut-down, start-up, increase or decrease the real or reactive power output of the Large Generating Facility; implementing a reduction or disconnection pursuant to Article 13.5.2; directing Interconnection Customer to assist with blackstart (if available) or restoration efforts; or altering the outage schedules of the Large Generating Facility and Interconnection Customer's Interconnection Facilities. Interconnection Customer shall comply with all of Transmission Provider's operating instructions concerning Large Generating Facility real power

and reactive power output within the manufacturer's design limitations of the Large Generating Facility's equipment that is in service and physically available for operation at the time, in compliance with Applicable Laws and Regulations.

13.5.2 Reduction and Disconnection. Transmission Provider may reduce Interconnection Service or disconnect the Large Generating Facility or Interconnection Customer's Interconnection Facilities, when such, reduction or disconnection is necessary under Good Utility Practice due to Emergency Conditions. These rights are separate and distinct from any right of curtailment of Transmission Provider pursuant to Transmission Provider's Tariff. When Transmission Provider can schedule the reduction or disconnection in advance, Transmission Provider shall notify Interconnection Customer of the reasons, timing and expected duration of the reduction or disconnection. Transmission Provider shall coordinate with Interconnection Customer using Good Utility Practice to schedule the reduction or disconnection during periods of least impact to Interconnection Customer and Transmission Provider. Any reduction or disconnection shall continue only for so long as reasonably necessary under Good Utility Practice. The Parties shall cooperate with each other to restore the Large Generating Facility, the Interconnection Facilities, and the Transmission System to their normal operating state as soon as practicable consistent with Good Utility Practice.

13.6 Interconnection Customer Authority. Consistent with Good Utility Practice and the SLGIA and the LGIP, Interconnection Customer may take actions or inactions with regard to the Large Generating Facility or Interconnection Customer's Interconnection Facilities during an Emergency Condition in order to (i) preserve public health and safety, (ii) preserve the reliability of the Large Generating Facility or Interconnection Customer's Interconnection Facilities, (iii) limit or prevent damage, and (iv) expedite restoration of service. Interconnection Customer shall use Reasonable Efforts to minimize the effect of such actions or inactions on the

Transmission System and Transmission Provider's Interconnection Facilities. Transmission Provider shall use Reasonable Efforts to assist Interconnection Customer in such actions.

- 13.7 Limited Liability.** Except as otherwise provided in Article 11.6.1 of this SLGIA, neither Party shall be liable to the other for any action it takes in responding to an Emergency Condition so long as such action is made in good faith and is consistent with Good Utility Practice.

Article 14. Regulatory Requirements and Governing Law

- 14.1 Regulatory Requirements.** Each Party's obligations under this SLGIA shall be subject to its receipt of any required approval or certificate from one or more Governmental Authorities in the form and substance satisfactory to the applying Party, or the Party making any required filings with, or providing notice to, such Governmental Authorities, and the expiration of any time period associated therewith. Each Party shall in good faith seek and use its Reasonable Efforts to obtain such other approvals. Nothing in this SLGIA shall require Interconnection Customer to take any action that could result in its inability to obtain, or its loss of, status or exemption under the Federal Power Act, the Public Utility Holding Company Act of 1935, as amended, or the Public Utility Regulatory Policies Act of 1978.

14.2 Governing Law.

- 14.2.1** The validity, interpretation and performance of this SLGIA and each of its provisions shall be governed by the laws of the state where the Point of Interconnection is located, without regard to its conflicts of law principles.
- 14.2.2** This SLGIA is subject to all Applicable Laws and Regulations.
- 14.2.3** Each Party expressly reserves the right to seek changes in, appeal, or otherwise contest any laws, orders, rules, or regulations of a Governmental Authority.

Article 15. Notices.

15.1 General. Unless otherwise provided in this SLGIA, any notice, demand or request required or permitted to be given by either Party to the other and any instrument required or permitted to be tendered or delivered by either Party in writing to the other shall be effective when delivered and may be so given, tendered or delivered, by recognized national courier, or by depositing the same with the United States Postal Service with postage prepaid, for delivery by certified or registered mail, addressed to the Party, or personally delivered to the Party, at the address set out in Appendix F, Addresses for Delivery of Notices and Billings.

Either Party may change the notice information in this SLGIA by giving five (5) Business Days written notice prior to the effective date of the change.

15.2 Billings and Payments. Billings and payments shall be sent to the addresses set out in Appendix F.

15.3 Alternative Forms of Notice. Any notice or request required or permitted to be given by a Party to the other and not required by this Agreement to be given in writing may be so given by telephone, facsimile or email to the telephone numbers and email addresses set out in Appendix F.

15.4 Operations and Maintenance Notice. Each Party shall notify the other Party in writing of the identity of the person(s) that it designates as the point(s) of contact with respect to the implementation of Articles 9 and 10.

Article 16. Force Majeure

16.1 Force Majeure.

16.1.1 Economic hardship is not considered a Force Majeure event.

16.1.2 Neither Party shall be considered to be in Default with respect to any obligation hereunder, (including obligations under Article 4), other than the obligation to pay money when due, if prevented from fulfilling such obligation by Force Majeure. A Party unable to fulfill any obligation hereunder (other than an

obligation to pay money when due) by reason of Force Majeure shall give notice and the full particulars of such Force Majeure to the other Party in writing or by telephone as soon as reasonably possible after the occurrence of the cause relied upon. Telephone notices given pursuant to this article shall be confirmed in writing as soon as reasonably possible and shall specifically state full particulars of the Force Majeure, the time and date when the Force Majeure occurred and when the Force Majeure is reasonably expected to cease. The Party affected shall exercise due diligence to remove such disability with reasonable dispatch, but shall not be required to accede or agree to any provision not satisfactory to it in order to settle and terminate a strike or other labor disturbance.

Article 17. Default

17.1 Default

17.1.1 General. No Default shall exist where such failure to discharge an obligation (other than the payment of money) is the result of Force Majeure as defined in this SLGIA or the result of an act of omission of the other Party. Upon a Breach, the non-breaching Party shall give written notice of such Breach to the breaching Party. Except as provided in Article 17.1.2, the breaching Party shall have thirty (30) Calendar Days from receipt of the Default notice within which to cure such Breach; provided however, if such Breach is not capable of cure within thirty (30) Calendar Days, the breaching Party shall commence such cure within thirty (30) Calendar Days after notice and continuously and diligently complete such cure within ninety (90) Calendar Days from receipt of the Default notice; and, if cured within such time, the Breach specified in such notice shall cease to exist.

17.1.2 Right to Terminate. If a Breach is not cured as provided in this article, or if a Breach is not capable of being cured within the period

provided for herein, the non-breaching Party shall have the right to declare a Default and terminate this SLGIA by written notice at any time until cure occurs, and be relieved of any further obligation hereunder and, whether or not that Party terminates this SLGIA, to recover from the breaching Party all amounts due hereunder, plus all other damages and remedies to which it is entitled at law or in equity. The provisions of this article will survive termination of this SLGIA.

Article 18. Indemnity, Consequential Damages and Insurance

18.1 Indemnity. The Parties shall at all times indemnify, defend, and hold the other Party harmless from, any and all damages, losses, claims, including claims and actions relating to injury to or death of any person or damage to property, demand, suits, recoveries, costs and expenses, court costs, attorney fees, and all other obligations by or to third parties, arising out of or resulting from the other Party's action or inactions of its obligations under this SLGIA on behalf of the Indemnifying Party, except in cases of gross negligence or intentional wrongdoing by the Indemnified Party.

18.1.1 Indemnified Person. If an Indemnified Person is entitled to indemnification under this Article 18 as a result of a claim by a third party, and the indemnifying Party fails, after notice and reasonable opportunity to proceed under Article 18.1, to assume the defense of such claim, such Indemnified Person may at the expense of the indemnifying Party contest, settle or consent to the entry of any judgment with respect to, or pay in full, such claim.

18.1.2 Indemnifying Party. If an Indemnifying Party is obligated to indemnify and hold any Indemnified Person harmless under this Article 18, the amount owing to the Indemnified Person shall be the amount of such Indemnified Person's actual Loss, net of any insurance or other recovery.

18.1.3 Indemnity Procedures. Promptly after receipt by an Indemnified Person of any claim or notice

of the commencement of any action or administrative or legal proceeding or investigation as to which the indemnity provided for in Article 18.1 may apply, the Indemnified Person shall notify the Indemnifying Party of such fact. Any failure of or delay in such notification shall not affect a Party's indemnification obligation unless such failure or delay is materially prejudicial to the indemnifying Party.

The Indemnifying Party shall have the right to assume the defense thereof with counsel designated by such Indemnifying Party and reasonably satisfactory to the Indemnified Person. If the defendants in any such action include one or more Indemnified Persons and the Indemnifying Party and if the Indemnified Person reasonably concludes that there may be legal defenses available to it and/or other Indemnified Persons which are different from or additional to those available to the Indemnifying Party, the Indemnified Person shall have the right to select separate counsel to assert such legal defenses and to otherwise participate in the defense of such action on its own behalf. In such instances, the Indemnifying Party shall only be required to pay the fees and expenses of one additional attorney to represent an Indemnified Person or Indemnified Persons having such differing or additional legal defenses.

The Indemnified Person shall be entitled, at its expense, to participate in any such action, suit or proceeding, the defense of which has been assumed by the Indemnifying Party. Notwithstanding the foregoing, the Indemnifying Party (i) shall not be entitled to assume and control the defense of any such action, suit or proceedings if and to the extent that, in the opinion of the Indemnified Person and its counsel, such action, suit or proceeding involves the potential imposition of criminal liability on the Indemnified Person, or there exists a conflict or adversity of interest between the Indemnified Person and the

Indemnifying Party, in such event the Indemnifying Party shall pay the reasonable expenses of the Indemnified Person, and (ii) shall not settle or consent to the entry of any judgment in any action, suit or proceeding without the consent of the Indemnified Person, which shall not be reasonably withheld, conditioned or delayed.

18.2 Consequential Damages. Other than the Liquidated Damages heretofore described, in no event shall either Party be liable under any provision of this SLGIA for any losses, damages, costs or expenses for any special, indirect, incidental, consequential, or punitive damages, including but not limited to loss of profit or revenue, loss of the use of equipment, cost of capital, cost of temporary equipment or services, whether based in whole or in part in contract, in tort, including negligence, strict liability, or any other theory of liability; provided, however, that damages for which a Party may be liable to the other Party under another agreement will not be considered to be special, indirect, incidental, or consequential damages hereunder.

18.3 Insurance. Each party shall, at its own expense, maintain in force throughout the period of this SLGIA, and until released by the other Party, the following minimum insurance coverages, with insurers authorized to do business in the state where the Point of Interconnection is located:

18.3.1 Employers' Liability and Workers' Compensation Insurance providing statutory benefits in accordance with the laws and regulations of the state in which the Point of Interconnection is located.

18.3.2 Commercial General Liability Insurance including premises and operations, personal injury, broad form property damage, broad form blanket contractual liability coverage (including coverage for the contractual indemnification) products and completed operations coverage, coverage for explosion, collapse and underground hazards, independent contractors coverage, coverage for pollution to the extent normally available and punitive

damages to the extent normally available and a cross liability endorsement, with minimum limits of One Million Dollars (\$1,000,000) per occurrence/One Million Dollars (\$1,000,000) aggregate combined single limit for personal injury, bodily injury, including death and property damage.

- 18.3.3** Comprehensive Automobile Liability Insurance for coverage of owned and non-owned and hired vehicles, trailers or semi-trailers designed for travel on public roads, with a minimum, combined single limit of One Million Dollars (\$1,000,000) per occurrence for bodily injury, including death, and property damage.
- 18.3.4** Excess Public Liability Insurance over and above the Employers' Liability Commercial General Liability and Comprehensive Automobile Liability Insurance coverage, with a minimum combined single limit of Twenty Million Dollars (\$20,000,000) per occurrence/Twenty Million Dollars (\$20,000,000) aggregate.
- 18.3.5** The Commercial General Liability Insurance, Comprehensive Automobile Insurance and Excess Public Liability Insurance policies shall name the other Party, its parent, associated and Affiliate companies and their respective directors, officers, agents, servants and employees ("Other Party Group") as additional insured. All policies shall contain provisions whereby the insurers waive all rights of subrogation in accordance with the provisions of this SLGIA against the Other Party Group and provide thirty (30) Calendar Days advance written notice to the Other Party Group prior to anniversary date of cancellation or any material change in coverage or condition.
- 18.3.6** The Commercial General Liability Insurance, Comprehensive Automobile Liability Insurance and Excess Public Liability Insurance policies shall contain provisions that specify that the policies are primary and shall apply to such extent without consideration for other policies separately carried and shall state that each

insured is provided coverage as though a separate policy had been issued to each, except the insurer's liability shall not be increased beyond the amount for which the insurer would have been liable had only one insured been covered. Each Party shall be responsible for its respective deductibles or retentions.

- 18.3.7** The Commercial General Liability Insurance, Comprehensive Automobile Liability Insurance and Excess Public Liability Insurance policies, if written on a Claims First Made Basis, shall be maintained in full force and effect for two (2) years after termination of this SLGIA, which coverage may be in the form of tail coverage or extended reporting period coverage if agreed by the Parties.
- 18.3.8** The requirements contained herein as to the types and limits of all insurance to be maintained by the Parties are not intended to and shall not in any manner, limit or qualify the liabilities and obligations assumed by the Parties under this SLGIA.
- 18.3.9** Within ten (10) days following execution of this SLGIA, and as soon as practicable after the end of each fiscal year or at the renewal of the insurance policy and in any event within ninety (90) days thereafter, each Party shall provide certification of all insurance required in this SLGIA, executed by each insurer or by an authorized representative of each insurer.
- 18.3.10** Notwithstanding the foregoing, each Party may self-insure to meet the minimum insurance requirements of Articles 18.3.2 through 18.3.8 to the extent it maintains a self-insurance program; provided that, such Party's senior secured debt is rated at investment grade or better by Standard & Poor's and that its self-insurance program meets the minimum insurance requirements of Articles 18.3.2 through 18.3.8. For any period of time that a Party's senior secured debt is unrated by Standard & Poor's or is rated at less than investment grade by Standard & Poor's, such Party shall comply with

the insurance requirements applicable to it under Articles 18.3.2 through 18.3.9. In the event that a Party is permitted to self-insure pursuant to this article, it shall notify the other Party that it meets the requirements to self-insure and that its self-insurance program meets the minimum insurance requirements in a manner consistent with that specified in Article 18.3.9.

18.3.11 The Parties agree to report to each other in writing as soon as practical all accidents or occurrences resulting in injuries to any person, including death, and any property damage arising out of this SLGIA.

Article 19. Assignment

19.1 Assignment. This SLGIA may be assigned by either Party only with the written consent of the other; provided that either Party may assign this SLGIA without the consent of the other Party to any Affiliate of the assigning Party with an equal or greater credit rating and with the legal authority and operational ability to satisfy the obligations of the assigning Party under this SLGIA; and provided further that Interconnection Customer shall have the right to assign this SLGIA, without the consent of Transmission Provider, for collateral security purposes to aid in providing financing for the Large Generating Facility, provided that Interconnection Customer will promptly notify Transmission Provider of any such assignment. Any financing arrangement entered into by Interconnection Customer pursuant to this article will provide that prior to or upon the exercise of the secured Party's, trustee's or mortgagee's assignment rights pursuant to said arrangement, the secured creditor, the trustee or mortgagee will notify Transmission Provider of the date and particulars of any such exercise of assignment right(s), including providing the Transmission Provider with proof that it meets the requirements of Articles 11.5 and 18.3. Any attempted assignment that violates this article is void and ineffective. Any assignment under this SLGIA shall not relieve a Party of its obligations, nor shall a Party's obligations be enlarged, in whole or in part, by reason thereof. Where required, consent to assignment will not be unreasonably withheld, conditioned or delayed.

Article 20. Severability

20.1 Severability. If any provision in this SLGIA is finally determined to be invalid, void or unenforceable by any court or other Governmental Authority having jurisdiction, such determination shall not invalidate, void or make unenforceable any other provision, agreement or covenant of this SLGIA; provided that if Interconnection Customer (or any third party, but only if such third party is not acting at the direction of Transmission Provider) seeks and obtains such a final determination with respect to any provision of the Alternate Option (Article 5.1.2), or the Negotiated Option (Article 5.1.4), then none of these provisions shall thereafter have any force or effect and the Parties' rights and obligations shall be governed solely by the Standard Option (Article 5.1.1).

Article 21. Comparability

21.1 Comparability. The Parties will comply with all applicable comparability and code of conduct laws, rules and regulations, as amended from time to time.

Article 22. Confidentiality

22.1 Confidentiality. Confidential Information shall include, without limitation, all information relating to a Party's technology, research and development, business affairs, and pricing, and any information supplied by either of the Parties to the other prior to the execution of this SLGIA.

Information is Confidential Information only if it is clearly designated or marked in writing as confidential on the face of the document, or, if the information is conveyed orally or by inspection, if the Party providing the information orally informs the Party receiving the information that the information is confidential.

If requested by either Party, the other Party shall provide in writing, the basis for asserting that the information referred to in this Article 22 warrants confidential treatment, and the requesting Party may disclose such writing to the appropriate Governmental Authority. Each Party shall be responsible for the costs associated with affording confidential treatment to its information.

22.1.1 Term. During the term of this SLGIA, and for a period of three (3) years after the expiration or termination of this SLGIA, except as otherwise provided in this Article 22, each Party shall hold in confidence and shall not disclose to any person Confidential Information.

22.1.2 Scope. Confidential Information shall not include information that the receiving Party can demonstrate: (1) is generally available to the public other than as a result of a disclosure by the receiving Party; (2) was in the lawful possession of the receiving Party on a non-confidential basis before receiving it from the disclosing Party; (3) was supplied to the receiving Party without restriction by a third party, who, to the knowledge of the receiving Party after due inquiry, was under no obligation to the disclosing Party to keep such information confidential; (4) was independently developed by the receiving Party without reference to Confidential Information of the disclosing Party; (5) is, or becomes, publicly known, through no wrongful act or omission of the receiving Party or Breach of this SLGIA; or (6) is required, in accordance with Article 22.1.7 of the SLGIA, Order of Disclosure, to be disclosed by any Governmental Authority or is otherwise required to be disclosed by law or subpoena, or is necessary in any legal proceeding establishing rights and obligations under this SLGIA. Information designated as Confidential Information will no longer be deemed confidential if the Party that designated the information as confidential notifies the other Party that it no longer is confidential.

22.1.3 Release of Confidential Information. Neither Party shall release or disclose Confidential Information to any other person, except to its Affiliates (limited by the Standards of Conduct requirements), subcontractors, employees, consultants, or to parties who may be or considering providing financing to or equity

participation with Interconnection Customer, or to potential purchasers or assignees of Interconnection Customer, on a need-to-know basis in connection with this SLGIA, unless such person has first been advised of the confidentiality provisions of this Article 22 and has agreed to comply with such provisions. Notwithstanding the foregoing, a Party providing Confidential Information to any person shall remain primarily responsible for any release of Confidential Information in contravention of this Article 22.

- 22.1.4 Rights.** Each Party retains all rights, title, and interest in the Confidential Information that each Party discloses to the other Party. The disclosure by each Party to the other Party of Confidential Information shall not be deemed a waiver by either Party or any other person or entity of the right to protect the Confidential Information from public disclosure.
- 22.1.5 No Warranties.** By providing Confidential Information, neither Party makes any warranties or representations as to its accuracy or completeness. In addition, by supplying Confidential Information, neither Party obligates itself to provide any particular information or Confidential Information to the other Party nor to enter into any further agreements or proceed with any other relationship or joint venture.
- 22.1.6 Standard of Care.** Each Party shall use at least the same standard of care to protect Confidential Information it receives as it uses to protect its own Confidential Information from unauthorized disclosure, publication or dissemination. Each Party may use Confidential Information solely to fulfill its obligations to the other Party under this SLGIA or its regulatory requirements.
- 22.1.7 Order of Disclosure.** If a court or a Government Authority or entity with the right, power, and apparent authority to do so requests or requires either Party, by subpoena, oral

deposition, interrogatories, requests for production of documents, administrative order, or otherwise, to disclose Confidential Information, that Party shall provide the other Party with prompt notice of such request(s) or requirement(s) so that the other Party may seek an appropriate protective order or waive compliance with the terms of this SLGIA.

Notwithstanding the absence of a protective order or waiver, the Party may disclose such Confidential Information which, in the opinion of its counsel, the Party is legally compelled to disclose. Each Party will use Reasonable Efforts to obtain reliable assurance that confidential treatment will be accorded any Confidential Information so furnished.

22.1.8 Termination of Agreement. Upon termination of this SLGIA for any reason, each Party shall, within ten (10) Calendar Days of receipt of a written request from the other Party, use Reasonable Efforts to destroy, erase, or delete (with such destruction, erasure, and deletion certified in writing to the other Party) or return to the other Party, without retaining copies thereof, any and all written or electronic Confidential Information received from the other Party.

22.1.9 Remedies. The Parties agree that monetary damages would be inadequate to compensate a Party for the other Party's Breach of its obligations under this Article 22. Each Party accordingly agrees that the other Party shall be entitled to equitable relief, by way of injunction or otherwise, if the first Party Breaches or threatens to Breach its obligations under this Article 22, which equitable relief shall be granted without bond or proof of damages, and the receiving Party shall not plead in defense that there would be an adequate remedy at law. Such remedy shall not be deemed an exclusive remedy for the Breach of this Article 22, but shall be in addition to all other remedies available at law or in equity. The Parties further acknowledge and

agree that the covenants contained herein are necessary for the protection of legitimate business interests and are reasonable in scope. No Party, however, shall be liable for indirect, incidental, or consequential or punitive damages of any nature or kind resulting from or arising in connection with this Article 22.

22.1.10 Disclosure to FERC, its Staff, or a State.
Notwithstanding anything in this Article 22 to the contrary, and pursuant to 18 CFR section 1b.20, if FERC or its staff, during the course of an investigation or otherwise, requests information from one of the Parties that is otherwise required to be maintained in confidence pursuant to this SLGIA, the Party shall provide the requested information to FERC or its staff, within the time provided for in the request for information. In providing the information to FERC or its staff, the Party must, consistent with 18 CFR section 388.112, request that the information be treated as confidential and non-public by FERC and its staff and that the information be withheld from public disclosure. Parties are prohibited from notifying the other Party to this SLGIA prior to the release of the Confidential Information to FERC or its staff. The Party shall notify the other Party to the SLGIA when it is notified by FERC or its staff that a request to release Confidential Information has been received by FERC, at which time either of the Parties may respond before such information would be made public, pursuant to 18 CFR section 388.112. Requests from a state regulatory body conducting a confidential investigation shall be treated in a similar manner if consistent with the applicable state rules and regulations.

22.1.11 Subject to the exception in Article 22.1.10, any information that a Party claims is competitively sensitive, commercial or financial information under this SLGIA ("Confidential Information") shall not be disclosed by the other Party to any person not

employed or retained by the other Party, except to the extent disclosure is (i) required by law; (ii) reasonably deemed by the disclosing Party to be required to be disclosed in connection with a dispute between or among the Parties, or the defense of litigation or dispute; (iii) otherwise permitted by consent of the other Party, such consent not to be unreasonably withheld; or (iv) necessary to fulfill its obligations under this SLGIA or as a transmission service provider or a Control Area operator including disclosing the Confidential Information to an RTO or ISO or to a regional or national reliability organization. The Party asserting confidentiality shall notify the other Party in writing of the information it claims is confidential. Prior to any disclosures of the other Party's Confidential Information under this subparagraph, or if any third party or Governmental Authority makes any request or demand for any of the information described in this subparagraph, the disclosing Party agrees to promptly notify the other Party in writing and agrees to assert confidentiality and cooperate with the other Party in seeking to protect the Confidential Information from public disclosure by confidentiality agreement, protective order or other reasonable measures.

Article 23. Environmental Releases

23.1 Each Party shall notify the other Party, first orally and then in writing, of the release of any Hazardous Substances, any asbestos or lead abatement activities, or any type of remediation activities related to the Large Generating Facility or the Interconnection Facilities, each of which may reasonably be expected to affect the other Party. The notifying Party shall: (i) provide the notice as soon as practicable, provided such Party makes a good faith effort to provide the notice no later than twenty-four hours after such Party becomes aware of the occurrence; and (ii) promptly furnish to the other Party copies of any publicly available reports filed with any Governmental Authorities addressing such events.

Article 24. Information Requirements

24.1 Information Acquisition. Transmission Provider and Interconnection Customer shall submit specific information regarding the electrical characteristics of their respective facilities to each other as described below and in accordance with Applicable Reliability Standards.

24.2 Information Submission by Transmission Provider. The initial information submission by Transmission Provider shall occur no later than one hundred eighty (180) Calendar Days prior to Trial Operation and shall include Transmission System information necessary to allow Interconnection Customer to select equipment and meet any system protection and stability requirements, unless otherwise agreed to by the Parties. On a monthly basis Transmission Provider shall provide Interconnection Customer a status report on the construction and installation of Transmission Provider's Interconnection Facilities and Network Upgrades, including, but not limited to, the following information: (1) progress to date; (2) a description of the activities since the last report; (3) a description of the action items for the next period; and (4) the delivery status of equipment ordered.

24.3 Updated Information Submission by Interconnection Customer. The updated information submission by Interconnection Customer, including manufacturer information, shall occur no later than one hundred eighty (180) Calendar Days prior to the Trial Operation. Interconnection Customer shall submit a completed copy of the Large Generating Facility data requirements contained in Appendix 1 to the LGIP. It shall also include any additional information provided to Transmission Provider for the Cluster Study and Facilities Study. Information in this submission shall be the most current Large Generating Facility design or expected performance data. Information submitted for stability models shall be compatible with Transmission Provider standard models. If there is no compatible model, Interconnection Customer will work with a consultant mutually agreed to by the Parties to develop and supply a standard model and associated information.

If Interconnection Customer's data is materially different from what was originally provided to Transmission Provider pursuant to the Interconnection Study Agreement between Transmission Provider and Interconnection Customer, then

Transmission Provider will conduct appropriate studies to determine the impact on Transmission Provider Transmission System based on the actual data submitted pursuant to this Article 24.3. The Interconnection Customer shall not begin Trial Operation until such studies are completed.

24.4 Information Supplementation. Prior to the Operation Date, the Parties shall supplement their information submissions described above in this Article 24 with any and all "as-built" Large Generating Facility information or "as-tested" performance information that differs from the initial submissions or, alternatively, written confirmation that no such differences exist. The Interconnection Customer shall conduct tests on the Large Generating Facility as required by Good Utility Practice such as an open circuit "step voltage" test on the Large Generating Facility to verify proper operation of the Large Generating Facility's automatic voltage regulator.

Unless otherwise agreed, the test conditions shall include: (1) Large Generating Facility at synchronous speed; (2) automatic voltage regulator on and in voltage control mode; and (3) a five percent change in Large Generating Facility terminal voltage initiated by a change in the voltage regulators reference voltage.

Interconnection Customer shall provide validated test recordings showing the responses of Large Generating Facility terminal and field voltages. In the event that direct recordings of these voltages is impractical, recordings of other voltages or currents that mirror the response of the Large Generating Facility's terminal or field voltage are acceptable if information necessary to translate these alternate quantities to actual Large Generating Facility terminal or field voltages is provided. Large Generating Facility testing shall be conducted and results provided to Transmission Provider for each individual generating unit in a station.

Subsequent to the Operation Date, Interconnection Customer shall provide Transmission Provider any information changes due to equipment replacement, repair, or adjustment. Transmission Provider shall provide Interconnection Customer any information changes due to equipment replacement, repair or adjustment in the directly connected substation or any adjacent Transmission Provider-owned substation that may affect Interconnection Customer's Interconnection Facilities equipment ratings,

protection or operating requirements. The Parties shall provide such information no later than thirty (30) Calendar Days after the date of the equipment replacement, repair or adjustment.

Article 25. Information Access and Audit Rights

- 25.1 Information Access.** Each Party (the "disclosing Party") shall make available to the other Party information that is in the possession of the disclosing Party and is necessary in order for the other Party to: (i) verify the costs incurred by the disclosing Party for which the other Party is responsible under this SLGIA; and (ii) carry out its obligations and responsibilities under this SLGIA. The Parties shall not use such information for purposes other than those set forth in this Article 25.1 and to enforce their rights under this SLGIA.
- 25.2 Reporting of Non-Force Majeure Events.** Each Party (the "notifying Party") shall notify the other Party when the notifying Party becomes aware of its inability to comply with the provisions of this SLGIA for a reason other than a Force Majeure event. The Parties agree to cooperate with each other and provide necessary information regarding such inability to comply, including the date, duration, reason for the inability to comply, and corrective actions taken or planned to be taken with respect to such inability to comply. Notwithstanding the foregoing, notification, cooperation or information provided under this article shall not entitle the Party receiving such notification to allege a cause for anticipatory breach of this SLGIA.
- 25.3 Audit Rights.** Subject to the requirements of confidentiality under Article 22 of this SLGIA, each Party shall have the right, during normal business hours, and upon prior reasonable notice to the other Party, to audit at its own expense the other Party's accounts and records pertaining to either Party's performance or either Party's satisfaction of obligations under this SLGIA. Such audit rights shall include audits of the other Party's costs, calculation of invoiced amounts, Transmission Provider's efforts to allocate responsibility for the provision of reactive support to the Transmission System, Transmission Provider's efforts to allocate responsibility for interruption or reduction of generation on the Transmission System, and each Party's actions in an

Emergency Condition. Any audit authorized by this article shall be performed at the offices where such accounts and records are maintained and shall be limited to those portions of such accounts and records that relate to each Party's performance and satisfaction of obligations under this SLGIA. Each Party shall keep such accounts and records for a period equivalent to the audit rights periods described in Article 25.4.

25.4 Audit Rights Periods.

25.4.1 Audit Rights Period for Construction-Related Accounts and Records. Accounts and records related to the design, engineering, procurement, and construction of Transmission Provider's Interconnection Facilities and Network Upgrades shall be subject to audit for a period of twenty-four months following Transmission Provider's issuance of a final invoice in accordance with Article 12.2.

25.4.2 Audit Rights Period for All Other Accounts and Records. Accounts and records related to either Party's performance or satisfaction of all obligations under this SLGIA other than those described in Article 25.4.1 shall be subject to audit as follows: (i) for an audit relating to cost obligations, the applicable audit rights period shall be twenty-four months after the auditing Party's receipt of an invoice giving rise to such cost obligations; and (ii) for an audit relating to all other obligations, the applicable audit rights period shall be twenty-four months after the event for which the audit is sought.

25.5 Audit Results. If an audit by a Party determines that an overpayment or an underpayment has occurred, a notice of such overpayment or underpayment shall be given to the other Party together with those records from the audit which support such determination.

Article 26. Subcontractors

26.1 General. Nothing in this SLGIA shall prevent a Party from utilizing the services of any subcontractor as it deems appropriate to perform its obligations under this SLGIA;

provided, however, that each Party shall require its subcontractors to comply with all applicable terms and conditions of this SLGIA in providing such services and each Party shall remain primarily liable to the other Party for the performance of such subcontractor.

26.2 Responsibility of Principal. The creation of any subcontract relationship shall not relieve the hiring Party of any of its obligations under this SLGIA. The hiring Party shall be fully responsible to the other Party for the acts or omissions of any subcontractor the hiring Party hires as if no subcontract had been made; provided, however, that in no event shall Transmission Provider be liable for the actions or inactions of Interconnection Customer or its subcontractors with respect to obligations of Interconnection Customer under Article 5 of this SLGIA. Any applicable obligation imposed by this SLGIA upon the hiring Party shall be equally binding upon, and shall be construed as having application to, any subcontractor of such Party.

26.3 No Limitation by Insurance. The obligations under this Article 26 will not be limited in any way by any limitation of subcontractor's insurance.

Article 27. Disputes

27.1 Submission. In the event either Party has a dispute, or asserts a claim, that arises out of or in connection with this SLGIA or its performance, such Party (the "disputing Party") shall provide the other Party with written notice of the dispute or claim ("Notice of Dispute"). Such dispute or claim shall be referred to a designated senior representative of each Party for resolution on an informal basis as promptly as practicable after receipt of the Notice of Dispute by the other Party. In the event the designated representatives are unable to resolve the claim or dispute through unassisted or assisted negotiations within thirty (30) Calendar Days of the other Party's receipt of the Notice of Dispute, such claim or dispute may, upon mutual agreement of the Parties, be submitted to arbitration and resolved in accordance with the arbitration procedures set forth below. In the event the Parties do not agree to submit such claim or dispute to arbitration, each Party may exercise whatever rights and remedies it may have in equity or at law consistent with the terms of this SLGIA.

27.2 External Arbitration Procedures. Any arbitration initiated under this SLGIA shall be conducted before a single neutral arbitrator appointed by the Parties. If the Parties fail to agree upon a single arbitrator within ten (10) Calendar Days of the submission of the dispute to arbitration, each Party shall choose one arbitrator who shall sit on a three-member arbitration panel. The two arbitrators so chosen shall within twenty (20) Calendar Days select a third arbitrator to chair the arbitration panel. In either case, the arbitrators shall be knowledgeable in electric utility matters, including electric transmission and bulk power issues, and shall not have any current or past substantial business or financial relationships with any party to the arbitration (except prior arbitration). The arbitrator(s) shall provide each of the Parties an opportunity to be heard and, except as otherwise provided herein, shall conduct the arbitration in accordance with the Commercial Arbitration Rules of the American Arbitration Association ("Arbitration Rules") and any applicable FERC regulations or RTO rules; provided, however, in the event of a conflict between the Arbitration Rules and the terms of this Article 27, the terms of this Article 27 shall prevail.

27.3 Arbitration Decisions. Unless otherwise agreed by the Parties, the arbitrator(s) shall render a decision within ninety (90) Calendar Days of appointment and shall notify the Parties in writing of such decision and the reasons therefore. The arbitrator(s) shall be authorized only to interpret and apply the provisions of this SLGIA and shall have no power to modify or change any provision of this Agreement in any manner. The decision of the arbitrator(s) shall be final and binding upon the Parties, and judgment on the award may be entered in any court having jurisdiction. The decision of the arbitrator(s) may be appealed solely on the grounds that the conduct of the arbitrator(s), or the decision itself, violated the standards set forth in the Federal Arbitration Act or the Administrative Dispute Resolution Act. The final decision of the arbitrator must also be filed with FERC if it affects jurisdictional rates, terms and conditions of service, Interconnection Facilities, or Network Upgrades.

27.4 Costs. Each Party shall be responsible for its own costs incurred during the arbitration process and for the following costs, if applicable: (1) the cost of the

arbitrator chosen by the Party to sit on the three member panel and one half of the cost of the third arbitrator chosen; or (2) one half the cost of the single arbitrator jointly chosen by the Parties.

Article 28. Representations, Warranties, and Covenants

28.1 General. Each Party makes the following representations, warranties and covenants:

28.1.1 Good Standing. Such Party is duly organized, validly existing and in good standing under the laws of the state in which it is organized, formed, or incorporated, as applicable; that it is qualified to do business in the state or states in which the Large Generating Facility, Interconnection Facilities and Network Upgrades owned by such Party, as applicable, are located; and that it has the corporate power and authority to own its properties, to carry on its business as now being conducted and to enter into this SLGIA and carry out the transactions contemplated hereby and perform and carry out all covenants and obligations on its part to be performed under and pursuant to this SLGIA.

28.1.2 Authority. Such Party has the right, power and authority to enter into this SLGIA, to become a Party hereto and to perform its obligations hereunder. This SLGIA is a legal, valid and binding obligation of such Party, enforceable against such Party in accordance with its terms, except as the enforceability thereof may be limited by applicable bankruptcy, insolvency, reorganization or other similar laws affecting creditors' rights generally and by general equitable principles (regardless of whether enforceability is sought in a proceeding in equity or at law).

28.1.3 No Conflict. The execution, delivery and performance of this SLGIA does not violate or conflict with the organizational or formation documents, or bylaws or operating agreement, of such Party, or any judgment, license, permit, order, material agreement or instrument

applicable to or binding upon such Party or any of its assets.

28.1.4 Consent and Approval. Such Party has sought or obtained, or, in accordance with this SLGIA will seek or obtain, each consent, approval, authorization, order, or acceptance by any Governmental Authority in connection with the execution, delivery and performance of this SLGIA, and it will provide to any Governmental Authority notice of any actions under this SLGIA that are required by Applicable Laws and Regulations.

Article 29. Joint Operating Committee

29.1 Joint Operating Committee. Except in the case of ISOs and RTOs, Transmission Provider shall constitute a Joint Operating Committee to coordinate operating and technical considerations of Interconnection Service. At least six (6) months prior to the expected Initial Synchronization Date, Interconnection Customer and Transmission Provider shall each appoint one representative and one alternate to the Joint Operating Committee. Each Interconnection Customer shall notify Transmission Provider of its appointment in writing. Such appointments may be changed at any time by similar notice. The Joint Operating Committee shall meet as necessary, but not less than once each calendar year, to carry out the duties set forth herein. The Joint Operating Committee shall hold a meeting at the request of either Party, at a time and place agreed upon by the representatives. The Joint Operating Committee shall perform all of its duties consistent with the provisions of this SLGIA. Each Party shall cooperate in providing to the Joint Operating Committee all information required in the performance of the Joint Operating Committee's duties. All decisions and agreements, if any, made by the Joint Operating Committee, shall be evidenced in writing. The duties of the Joint Operating Committee shall include the following:

29.1.1 Establish data requirements and operating record requirements.

29.1.2 Review the requirements, standards, and procedures for data acquisition equipment, protective equipment, and any other equipment

or software.

- 29.1.3 Annually review the one (1) year forecast of maintenance and planned outage schedules of Transmission Provider's and Interconnection Customer's facilities at the Point of Interconnection.
- 29.1.4 Coordinate the scheduling of maintenance and planned outages on the Interconnection Facilities, the Large Generating Facility and other facilities that impact the normal operation of the interconnection of the Large Generating Facility to the Transmission System.
- 29.1.5 Ensure that information is being provided by each Party regarding equipment availability.
- 29.1.6 Perform such other duties as may be conferred upon it by mutual agreement of the Parties.

Article 30. Miscellaneous

- 30.1 **Binding Effect.** This SLGIA and the rights and obligations hereof, shall be binding upon and shall inure to the benefit of the successors and assigns of the Parties hereto.
- 30.2 **Conflicts.** In the event of a conflict between the body of this SLGIA and any attachment, appendices or exhibits hereto, the terms and provisions of the body of this SLGIA shall prevail and be deemed the final intent of the Parties.
- 30.3 **Rules of Interpretation.** This SLGIA, unless a clear contrary intention appears, shall be construed and interpreted as follows: (1) the singular number includes the plural number and vice versa; (2) reference to any person includes such person's successors and assigns but, in the case of a Party, only if such successors and assigns are permitted by this SLGIA, and reference to a person in a particular capacity excludes such person in any other capacity or individually; (3) reference to any agreement (including this SLGIA), document, instrument or tariff means such agreement, document, instrument, or tariff as amended or modified and in effect from time to time in accordance with the terms thereof and, if

applicable, the terms hereof; (4) reference to any Applicable Laws and Regulations means such Applicable Laws and Regulations as amended, modified, codified, or reenacted, in whole or in part, and in effect from time to time, including, if applicable, rules and regulations promulgated thereunder; (5) unless expressly stated otherwise, reference to any Article, Section or Appendix means such Article of this SLGIA or such Appendix to this SLGIA, or such Section to the LGIP or such Appendix to the LGIP, as the case may be; (6) "hereunder", "hereof", "herein", "hereto" and words of similar import shall be deemed references to this SLGIA as a whole and not to any particular Article or other provision hereof or thereof; (7) "including" (and with correlative meaning "include") means including without limiting the generality of any description preceding such term; and (8) relative to the determination of any period of time, "from" means "from and including", "to" means "to but excluding" and "through" means "through and including".

- 30.4 Entire Agreement.** This SLGIA, including all Appendices and Schedules attached hereto, constitutes the entire agreement between the Parties with reference to the subject matter hereof, and supersedes all prior and contemporaneous understandings or agreements, oral or written, between the Parties with respect to the subject matter of this SLGIA. There are no other agreements, representations, warranties, or covenants which constitute any part of the consideration for, or any condition to, either Party's compliance with its obligations under this SLGIA.
- 30.5 No Third Party Beneficiaries.** This SLGIA is not intended to and does not create rights, remedies, or benefits of any character whatsoever in favor of any persons, corporations, associations, or entities other than the Parties, and the obligations herein assumed are solely for the use and benefit of the Parties, their successors in interest and, where permitted, their assigns.
- 30.6 Waiver.** The failure of a Party to this SLGIA to insist, on any occasion, upon strict performance of any provision of this SLGIA will not be considered a waiver of any obligation, right, or duty of, or imposed upon, such Party. Any waiver at any time by either Party of its rights with respect to this SLGIA shall not be deemed a continuing waiver or a waiver with respect to any other

failure to comply with any other obligation, right, duty of this SLGIA. Termination or Default of this SLGIA for any reason by Interconnection Customer shall not constitute a waiver of Interconnection Customer's legal rights to obtain an interconnection from Transmission Provider. Any waiver of this SLGIA shall, if requested, be provided in writing.

- 30.7 Headings.** The descriptive headings of the various Articles of this SLGIA have been inserted for convenience of reference only and are of no significance in the interpretation or construction of this SLGIA.
- 30.8 Multiple Counterparts.** This SLGIA may be executed in two or more counterparts, each of which is deemed an original but all constitute one and the same instrument.
- 30.9 Amendment.** The Parties may by mutual agreement amend this SLGIA by a written instrument duly executed by the Parties.
- 30.10 Modification by the Parties.** The Parties may by mutual agreement amend the Appendices to this SLGIA by a written instrument duly executed by the Parties. Such amendment shall become effective and a part of this SLGIA upon satisfaction of all Applicable Laws and Regulations.
- 30.11 Reservation of Rights.** Transmission Provider shall have the right to make a unilateral filing with FERC to modify this SLGIA with respect to any rates, terms and conditions, charges, classifications of service, rule or regulation under section 205 or any other applicable provision of the Federal Power Act and FERC's rules and regulations thereunder, and Interconnection Customer shall have the right to make a unilateral filing with FERC to modify this SLGIA pursuant to section 206 or any other applicable provision of the Federal Power Act and FERC's rules and regulations thereunder; provided that each Party shall have the right to protest any such filing by the other Party and to participate fully in any proceeding before FERC in which such modifications may be considered. Nothing in this SLGIA shall limit the rights of the Parties or of FERC under sections 205 or 206 of the Federal Power Act and FERC's rules and regulations thereunder, except to the extent that the Parties otherwise mutually agree as provided herein.

30.12 No Partnership. This SLGIA shall not be interpreted or construed to create an association, joint venture, agency relationship, or partnership between the Parties or to impose any partnership obligation or partnership liability upon either Party. Neither Party shall have any right, power or authority to enter into any agreement or undertaking for, or act on behalf of, or to act as or be an agent or representative of, or to otherwise bind, the other Party.

IN WITNESS WHEREOF, the Parties have executed this SLGIA in duplicate originals, each of which shall constitute and be an original effective Agreement between the Parties.

PACIFICORP

By: /s/ Rick Vail

Rick Vail

Title: VP, Transmission

Date: March 25, 2024

Escalante BESS III LLC (S0009)

By: /s/ John Woody

Title: Vice President

Date: 2/22/2024

Appendix A to SLGIA

Interconnection Facilities, Network Upgrades, Distribution Upgrades, and Contingent Facilities

1. Interconnection Facilities:

(a) Interconnection Customer's Interconnection Facilities:

Consists of an existing 345 kV high side circuit breaker and transmission tie line.

(b) Transmission Provider's Interconnection Facilities:

Consists of metering and communications equipment in the Interconnection Customer collector substation along with the already installed dead end structure, relaying, metering and communications equipment in the Point of Interconnection substation.

2. Network Upgrades:

(a) Stand Alone Network Upgrades: None.

(b) Other Network Upgrades: None.

3. Distribution Upgrades: None.

4. Contingent Facilities: As identified in the Surplus Interconnection Service System Impact Study for this project dated February 1, 2023, the following Network Upgrades are required to be in-service prior to this project:

None.

5. Point of Interconnection (POI): the point at which the Transmission Provider's Interconnection Facilities meet the Transmission Provider's electrical system. Please see Exhibit 1 to Appendix A to the SLGIA.

6. Point of Change of Ownership: the point at which the Interconnection Customer's Interconnection Facilities meet the Transmission Provider's Interconnection Facilities. Please see Exhibit 1 to Appendix A to the SLGIA.

7. One-Line Diagram: Please see Exhibit 1 to Appendix A to the SLGIA.

8. Estimated Cost: \$1,109,000

Appendix B To SLGIA

Milestones

Execute SLGIA

February 26, 2024

Provision of Financial Security

March 4, 2024

Interconnection Customer Approval for Transmission Provider to Commence Engineering and Procurement Activities

March 11, 2024

*Interconnection Customer Initial Design Package Provided

March 18, 2024

Transmission Provider Engineering & Procurement Commences

March 29, 2024

Interconnection Customer Energy Imbalance Market Submittal

May 28, 2024

Interconnection Customer Property/Permits/ROW Procured

August 11, 2024

Transmission Provider Property/Permits/ROW Procured

October 24, 2024

*Interconnection Customer Final Design Package Provided

December 5, 2024

Transmission Provider Engineering Design Complete

February 25, 2025

Interconnection Customer Approval for Transmission Provider to Commence Construction Activities

February 28, 2025

Transmission Provider Construction Commences

April 4, 2025

Interconnection Customer Maintenance and Commissioning Plans Provided

August 5, 2025

Interconnection Customer and Transmission Provider
Construction Complete
September 26, 2025

Transmission Provider Commissioning Activities Complete
October 24, 2025

Transmission Provider Commissioning Document Review Complete
October 27, 2025

Interconnection Customer's Facilities Receive Backfeed Power
October 28, 2025

Initial Synchronization/Generation Testing
November 4, 2025

Commercial Operation
December 9, 2025

*Interconnection Customer initial design package shall include final generating facility location, inverter/turbine selection, basic protection package, tie line route and collector system locations and data as applicable. Interconnection Customer final design package shall include PE stamped issued for construction ("IFC") drawings for generating facility, collector substation, tie line as well as an updated PSS/e model and updated WECC approved model, electromagnetic transient ("EMT") model and a detailed short circuit model of its generation system using the ASPEN OneLine short circuit simulation program as applicable. The WECC model parameters must be adjusted to reflect the plant's actual anticipated performance. The plant controller must be included in the model. If there is to be coordination between facilities or a master VAR controller, this must be included in the detailed WECC dynamic model, as well as in the PSS/e user-written model.

Appendix C To SLGIA

Interconnection Details

A. Interconnection Details:

Description of the Large Generating Facility for Surplus Interconnection Service:

Adding 80 MW of battery storage to existing 80 MW solar facility. Additional battery storage consists of six (6) battery enclosures per inverter for a total of two hundred twenty-eight (228) enclosures. Each enclosure contains 2186 kWh of DC battery energy. The total interconnection capacity for combined solar and battery storage is 80 MW. Large generating facility is located in Beaver County, Utah.

Please see Exhibit 1 to Appendix A for One-Line Diagram.

Interconnection Service Capacity: 80 MW

Interconnection Service Type: Network Resource

Control Area Requirements: Interconnection Customer shall interconnect and operate the Large Generating Facility in accordance with the Transmission Provider's Facility Interconnection Requirements for Transmission Systems, as may be revised from time to time, attached hereto as Exhibit 1 to Appendix C and by this reference incorporated herein.

Interconnection Details:

Metering. With reference to Article 7.1, Transmission Provider will own and maintain the bi-directional revenue Metering Equipment in Transmission Provider's Point of Interconnection substation at the Interconnection Customer's expense.

Under Frequency and Over Frequency Conditions. Consistent with SLGIA Article 9.7.3, Transmission Provider shall design, procure, install and maintain frequency and voltage protection to trip feeder breakers in accordance with the settings shown in Exhibit 1 to Appendix C.

Reactive Power and Voltage Schedule. All interconnecting synchronous and non-synchronous generators are required to design their Generating Facilities with reactive power capabilities necessary to operate within the full power factor range of 0.95 leading to 0.95 lagging. This power factor range shall be dynamic and can be met using a combination of the inherent dynamic reactive

power capability of the generator or inverter, dynamic reactive power devices and static reactive power devices. For non-synchronous generators, the power factor requirement is to be measured at the high-side of the generator substation. The Generating Facility must provide dynamic reactive power to the system over the full range of real power output. If the Generating Facility is not capable of providing positive reactive support (i.e., supplying reactive power to the system) immediately following the removal of a fault or other transient low voltage perturbations, the facility will be required to add dynamic voltage support equipment. These additional dynamic reactive devices shall have correct protection settings such that the devices will remain on line and active during and immediately following a fault event.

Generators shall be equipped with automatic voltage-control equipment and normally operated with the voltage regulation control mode enabled unless written authorization, or directive, from the Transmission Provider is given to operate in another control mode (e.g., constant power factor control). The control mode of generating units shall be accurately represented in operating studies. The generators shall be capable of operating continuously at their rated power output within +/- 5% of its rated terminal voltage. Phasor Measurement Units will be required at any Generating Facilities with an individual or aggregate nameplate capacity of 75 MVA or greater.

As required by NERC standard VAR-001-5, the Transmission Provider will provide a voltage schedule for the Point of Interconnection. In general, Generating Facilities should be operated so as to maintain the voltage at the Point of Interconnection, or other designated point as deemed appropriated by Transmission Provider, in accordance with Transmission Provider Planning Policy No. 139 (Facility Connection Requirements for Transmission Systems (46 kV and Higher Voltages)).

Generating Facilities capable of operating with a voltage droop are required to do so. Studies will be required to coordinate voltage droop settings if there are other facilities in the area. It will be the Interconnection Customer's responsibility to ensure that a voltage coordination study is performed, in coordination with Transmission Provider, and implemented with appropriate coordination settings prior to unit testing. If the need for a master controller is identified, the cost and all related installation requirements will be the responsibility of the Interconnection Customer. Participation by the Generation Facility in subsequent interaction/coordination studies will be required

pre- and post-commercial operation in order ensure system reliability.

All generators must meet the Federal Energy Regulatory Commission (FERC) and WECC low voltage ride-through requirements.

As the Transmission Provider cannot submit a user written model to WECC for inclusion in base cases, a standard model from the WECC Approved Dynamic Model Library is required 180 days prior to trial operation. The list of approved generator models is continually updated and is available on the <http://www.WECC.org> website.

Property Requirements. Notwithstanding SLGIA Article 5.13, Interconnection Customer has elected to obtain for the benefit of Transmission Provider at Interconnection Customer's sole cost and expense all real property rights, including but not limited to fee ownership, easements and/or rights of way, as applicable, for Transmission Provider owned facilities using forms acceptable to Transmission Provider. Interconnection Customer has agreed that Transmission Provider will not be obligated to accept any such real property right that does not, at Transmission Provider's sole discretion, confer sufficient rights to access, operate, construct, modify, maintain, place and remove Transmission Provider owned facilities or is otherwise conveyed using forms unacceptable to Transmission Provider. Further, Interconnection Customer has agreed that all real property on which Transmission Provider's facilities are to be located must be environmentally, physically and operationally acceptable to the Transmission Provider in accordance with Good Utility Practice.

Notwithstanding SLGIA Article 5.14, Interconnection Customer has elected to obtain all permits required by all relevant jurisdictions for the project, including but not limited to, conditional use permits and construction permits; provided however, Transmission Provider will obtain, at Interconnection Customer's cost and schedule risk, the permits necessary to construct Transmission Provider's facilities that are to be located on real property currently owned or held in fee or right by Transmission Provider.

Interconnection Customer has agreed that all of the foregoing permits and real property rights (conferring rights on real property that is environmentally, physically and operationally acceptable to Transmission Provider) must be acquired as provided herein as a condition to Transmission Provider's contractual obligation to construct or take possession of facilities to be owned by the Transmission Provider under this Agreement.

Interconnection Customer agrees that Transmission Provider will have no liability for any project delays or cost overruns caused by delays in acquiring any of the foregoing permits and/or real property rights, whether such delay results from the failure to obtain such permits or rights or the failure of such permits or rights to meet the requirements set forth herein. Further, Interconnection Customer agrees that any completion dates, if any, set forth herein with regard to Transmission Provider's obligations will be equitably extended based on the length and impact of any such delays.

Appendix D To SLGIA

Security Arrangements Details

Infrastructure security of Transmission System equipment and operations and control hardware and software is essential to ensure day-to-day Transmission System reliability and operational security. FERC will expect all Transmission Providers, market participants, and Interconnection Customers interconnected to the Transmission System to comply with the recommendations offered by the President's Critical Infrastructure Protection Board and, eventually, best practice recommendations from the electric reliability authority. All public utilities will be expected to meet basic standards for system infrastructure and operational security, including physical, operational, and cyber-security practices.

Automatic Data Transfer. Throughout the term of this Agreement, Interconnection Customer shall provide the data specified below by automatic data transfer to the Transmission Provider Control Center specified by Transmission Provider or to a Third-Party System Operator designated by Transmission Provider (or both):

From the Interconnection Customer collector substation:

Analogs:

- 34.5 kV Real power A
- 34.5 kV Reactive power A
- 34.5 kV Real power B
- 34.5 kV Reactive power B
- 34.5 kV Real power C
- 34.5 kV Reactive power C
- 34.5 kV Real power D
- 34.5 kV Reactive power D
- 34.5 kV Real power E
- 34.5 kV Reactive power E
- 34.5 kV Real power F
- 34.5 kV Reactive power F
- Global Horizontal Irradiance (GHI)
- Average Plant Atmospheric Pressure (Bar)
- Average Plant Temperature (Celsius)
- Max Generator Limit MW (one set point control and feedback)
- Potential Power MW
- BESS current energy capacity (MWh)
- BESS current energy capacity (%)
- BESS current max power output capacity (%)

- BESS cycles or health (cycle count or % health)

Status:

- 34.5 kV breaker A
- 34.5 kV breaker B
- 34.5 kV breaker C
- 34.5 kV breaker D
- 34.5 kV breaker E
- 34.5 kV breaker F

Appendix E To SLGIA

Commercial Operation Date

This Appendix E is a part of the SLGIA between Transmission Provider and Interconnection Customer.

[Date]

[Transmission Provider Address]

Re: _____ Large Generating Facility

Dear _____:

On **[Date]** **[Interconnection Customer]** has completed Trial Operation of Unit No. _____. This letter confirms that **[Interconnection Customer]** commenced Commercial Operation of Unit No. _ at the Large Generating Facility, effective as of **[Date plus one day]**.

Thank you.

[Signature]

[Interconnection Customer Representative]

Appendix F to SLGIA

Addresses for Delivery of Notices and Billings

Notices, Billings and Payments:

Transmission Provider:

US Mail Deliveries: PacifiCorp Transmission Services
Attn: Central Cashiers Office
PO Box 2757
Portland, OR 97208-2757

Other Deliveries: Central Cashiers Office
Attn: PacifiCorp Transmission Services
825 NE Multnomah Street, Suite 550
Portland OR 97232

Phone Number: 503-813-6774

Interconnection Customer and Original Interconnection
Customer Manager:

Clearway Asset Management
Josh Jarriel
am@clearwayenergy.com
480-424-1300

Alternative Forms of Delivery of Notices (telephone, facsimile or email):

Transmission Provider:

Director, Transmission Services 503-813-6496
Manager, Generation Interconnection 503-813-6596
Email: GIApplications@pacificorp.com

OASIS Address:

<<http://www.oasis.pacificorp.com/oasis/ppw/main.htmlx>>

Interconnection Customer and Original Interconnection
Customer Manager:

Clearway Asset Management
Josh Jarriel
am@clearwayenergy.com
480-424-1300

Appendix G to SLGIA

INTERCONNECTION REQUIREMENTS FOR A WIND GENERATING PLANT

Appendix G sets forth requirements and provisions specific to a wind generating plant. All other requirements of this SLGIA continue to apply to wind generating plant interconnections.

A. Technical Standards Applicable to a Wind Generating Plant

i. Low Voltage Ride-Through (LVRT) Capability

A wind generating plant shall be able to remain online during voltage disturbances up to the time periods and associated voltage levels set forth in the standard below. The LVRT standard provides for a transition period standard and a post-transition period standard.

Transition Period LVRT Standard

The transition period standard applies to wind generating plants subject to FERC Order 661 that have either: (i) interconnection agreements signed and filed with the Commission, filed with the Commission in unexecuted form, or filed with the Commission as non-conforming agreements between January 1, 2006 and December 31, 2006, with a scheduled in-service date no later than December 31, 2007, or (ii) wind generating turbines subject to a wind turbine procurement contract executed prior to December 31, 2005, for delivery through 2007.

1. Wind generating plants are required to remain in-service during three-phase faults with normal clearing (which is a time period of approximately 4 - 9 cycles) and single line to ground faults with delayed clearing, and subsequent post-fault voltage recovery to prefault voltage unless clearing the fault effectively disconnects the generator from the system. The clearing time requirement for a three-phase fault will be specific to the wind generating plant substation location, as determined by and documented by the transmission provider. The maximum clearing time the wind generating plant shall be required to withstand for a three-phase fault shall be 9 cycles at a voltage as low as 0.15 p.u., as measured at the high side of the wind generating plant step-up transformer (i.e. the transformer

that steps the voltage up to the transmission interconnection voltage or "GSU"), after which, if the fault remains following the location-specific normal clearing time for three-phase faults, the wind generating plant may disconnect from the transmission system.

2. This requirement does not apply to faults that would occur between the wind generator terminals and the high side of the GSU or to faults that would result in a voltage lower than 0.15 per unit on the high side of the GSU serving the facility.
3. Wind generating plants may be tripped after the fault period if this action is intended as part of a special protection system.
4. Wind generating plants may meet the LVRT requirements of this standard by the performance of the generators or by installing additional equipment (e.g., Static VAR Compensator, etc.) within the wind generating plant or by a combination of generator performance and additional equipment.
5. Existing individual generator units that are, or have been, interconnected to the network at the same location at the effective date of the Appendix G LVRT Standard are exempt from meeting the Appendix G LVRT Standard for the remaining life of the existing generation equipment. Existing individual generator units that are replaced are required to meet the Appendix G LVRT Standard.

Post-transition Period LVRT Standard

All wind generating plants subject to FERC Order No. 661 and not covered by the transition period described above must meet the following requirements:

1. Wind generating plants are required to remain in-service during three-phase faults with normal clearing (which is a time period of approximately 4 - 9 cycles) and single line to ground faults with delayed clearing, and subsequent post-fault voltage recovery to prefault voltage unless clearing the fault effectively disconnects the generator from the system. The clearing time requirement for a three-phase fault will be specific to the wind generating plant substation location, as determined by and documented by the transmission provider. The maximum clearing time

the wind generating plant shall be required to withstand for a three-phase fault shall be 9 cycles after which, if the fault remains following the location-specific normal clearing time for three-phase faults, the wind generating plant may disconnect from the transmission system. A wind generating plant shall remain interconnected during such a fault on the transmission system for a voltage level as low as zero volts, as measured at the high voltage side of the wind GSU.

2. This requirement does not apply to faults that would occur between the wind generator terminals and the high side of the GSU.
3. Wind generating plants may be tripped after the fault period if this action is intended as part of a special protection system.
4. Wind generating plants may meet the LVRT requirements of this standard by the performance of the generators or by installing additional equipment (e.g., Static VAR Compensator) within the wind generating plant or by a combination of generator performance and additional equipment.
5. Existing individual generator units that are, or have been, interconnected to the network at the same location at the effective date of the Appendix G LVRT Standard are exempt from meeting the Appendix G LVRT Standard for the remaining life of the existing generation equipment. Existing individual generator units that are replaced are required to meet the Appendix G LVRT Standard.

ii. Power Factor Design Criteria (Reactive Power)

The following reactive power requirements apply only to a newly interconnecting wind generating plant that has executed a Facilities Study Agreement as of the effective date of the Final Rule establishing the reactive power requirements for non-synchronous generators in section 9.6.1 of this SLGIA (Order No. 827). A wind generating plant to which this provision applies shall maintain a power factor within the range of 0.95 leading to 0.95 lagging, measured at the Point of Interconnection as defined in this SLGIA, if the Transmission Provider's System Impact Study shows that such a requirement is necessary to ensure safety or reliability. The power factor range standard can be met by using, for example, power electronics designed to

supply this level of reactive capability (taking into account any limitations due to voltage level, real power output, etc.) or fixed and switched capacitors if agreed to by the Transmission Provider, or a combination of the two. The Interconnection Customer shall not disable power factor equipment while the wind plant is in operation. Wind plants shall also be able to provide sufficient dynamic voltage support in lieu of the power system stabilizer and automatic voltage regulation at the generator excitation system if the System Impact Study shows this to be required for system safety or reliability.

iii. Supervisory Control and Data Acquisition (SCADA) Capability

The wind plant shall provide SCADA capability to transmit data and receive instructions from the Transmission Provider to protect system reliability. The Transmission Provider and the wind plant Interconnection Customer shall determine what SCADA information is essential for the proposed wind plant, taking into account the size of the plant and its characteristics, location, and importance in maintaining generation resource adequacy and transmission system reliability in its area.

APPENDIX H

ENERGY DISPLACEMENT AGREEMENT

THIS ENERGY DISPLACEMENT AGREEMENT (sometimes hereinafter referred to as "Agreement") is made and entered into this 25th of March, 2024, by and among Escalante BESS III LLC, a limited liability company organized and existing under the laws of the State of Delaware (as "Interconnection Customer"), Escalante Solar III, LLC, a limited liability company organized and existing under the laws of the State of Delaware ("Existing Generating Facility Interconnection Customer"), and PacifiCorp, a corporation organized and existing under the laws of the State of Oregon ("Transmission Provider"). Interconnection Customer, Existing Generating Facility Interconnection Customer, or Transmission Provider each may be referred to as a "Party" or collectively as the "Parties."

RECITALS

WHEREAS, Existing Generating Facility Interconnection Customer and Interconnection Customer each own (or will own) electric facilities and is (or will be) engaged in generation and/or sale of electric power and energy; and

WHEREAS, Interconnection Customer intends to own, and operate, or manage a battery energy storage system facility located in Beaver County, State of Utah ("Generating Facility" or "Facility") with an expected Commercial Operation Date of November 15, 2025, pursuant to its planned Interconnection Request, and will interconnect either to the facilities owned by Existing Generating Facility Interconnection Customer or to the Transmission System of Transmission Provider; and

WHEREAS, Existing Generating Facility Interconnection Customer owns, operates, or manages a solar photovoltaic electric generating facility located in Beaver County, State of Utah, which interconnects to the Transmission System of Transmission Provider (the "Existing Generating Facility") pursuant to an existing Standard Large Generator Interconnection Agreement.

WHEREAS, Interconnection Customer's Generating Facility as detailed in Attachment A of this Agreement shall connect at the same Point of Interconnection ("POI") as the Existing Generating Facility. Interconnection Customer has made a Surplus Interconnection Service Interconnection Request pursuant to the PacifiCorp OATT Attachment N Large Generator Interconnection

Procedures ("LGIP") for the interconnection of the Generating Facility pursuant to a Surplus Large Generator Interconnection Agreement ("SLGIA").

Each of Interconnection Customer and Existing Generating Facility Interconnection Customer shall file the financial compensation (Rates, Terms and Conditions) arrangement with FERC separately, if necessary.

As specified in this Agreement, Interconnection Customer, Existing Generating Facility Interconnection Customer, or Transmission Provider, in accordance with the SLGIA, when the SLGIA becomes effective, shall be responsible for maintaining the net injection of energy at the POI such that the combined simultaneous energy output of the Generating Facility and the Existing Generating Facility shall not exceed the Interconnection Service limit in Attachment A of this Agreement.

The generation dispatch arrangements are shown in Attachment A. This Agreement does not amend, modify or supplement any agreement between the Existing Generating Facility Interconnection Customer and the Transmission Provider regarding the interconnection and operation of the Existing Generating Facility.

This Agreement shall become Appendix H to the SLGIA and shall remain in effect throughout the term of the Surplus Interconnection Service under the SLGIA. Interconnection Customer's output shall be limited to zero MWh under its SLGIA during all periods during which this Agreement is not in effect.

Termination.

This Agreement shall have a term coincident with the term of the SLGIA.

Unless previously terminated, this Agreement shall terminate if: (i) the request for Surplus Interconnection Service is withdrawn; or (ii) the SLGIA terminates. Either Existing Generating Facility Interconnection Customer or Transmission Provider may terminate this Agreement, upon written notice to the Interconnection Customer, due to the occurrence of six (6) or more Interconnection Customer "Interconnection Service Limit Violation Events" (meaning any fifteen (15) minute interval where the Interconnection Service limit as set forth in the SLGIA is exceeded) during any twelve (12) month period.

Notices.

Any notice, demand or request required or permitted to be given by a Party to another Party under this Agreement shall be in writing and provided in accordance with Appendix F of this SLGIA.

IN WITNESS WHEREOF, the Parties have caused this Agreement to be duly executed by their duly authorized officers or agents on the day and year first above written.

PacifiCorp

By: /s//s/ Rick Vail
VP, Transmission

Title:
Authorized Agent for PacifiCorp

Date: March 25, 2024

Interconnection Customer

Escalante BESS III LLC

By: /s/John Woody
John Woody

Title: Vice President

Date: 3/22/24

Existing Generating Facility Interconnection Customer

Escalante Solar III LLC

By: /s/Dan Summa
Dan Summa

Title: Vice President

Date: 3/22/24

ENERGY DISPLACEMENT AGREEMENT
Attachment A

1. Existing Generating Facility POI: Hickory 345 kV Substation
2. Generating Facility POI: Hickory 345 kV Substation
3. Existing Generating Facility capacity (lower of demonstrated capability or study output limit at the POI):
(MW) :80
4. Generating Facility Interconnection Request capacity
(MW) :80
5. Aggregate Interconnection Service limit of the Generating Facility and Existing Generating Facility capacity at the POI shall not be greater than 3) above:

(MW) :80

Check as applicable:

Transmission Provider _____

Existing Generating Facility Interconnection Customer:

 X _____

Interconnection Customer ____ _____

shall be solely responsible for the coordinated automatic generation control of the combined output of Interconnection Customer's Generating Facility and Existing Generating Facility.

APPENDIX I

Shared Facilities Agreement

The Original Interconnection Customer and Interconnection Customer have appointed Josh Jarriel as a manager to serve as the Interconnection Customer's and Original Interconnection Customer's authorized agent and representative for purposes of administering the Original QFLGIA and SLGIA (the "Manager").

The Original Interconnection Customer and Interconnection Customer have entered into a Shared Facilities Agreement ("SFA"), governing, among other things, the liabilities and obligations of the Original Interconnection Customer, Interconnection Customer and Manager under the Original QFLGIA and SLGIA and the rights and responsibilities of each with respect to the other.

The Manager's contact information is as set forth in Appendix F of this SLGIA. The Original QFLGIA will be amended to reflect the Manager's contact information. In accordance with the terms of the SFA, upon replacement of the Manager under the SFA, either the Interconnection Customer or the Original Interconnection Customer may change the Manager or Manager's contact information by delivering written notice of such change to the Transmission Provider not less than five Business Days prior to the effective date of the change in accordance with Notices in Appendix F.

The Manager will be a single point of contact for the Transmission Provider and will represent Interconnection Customer and Original Interconnection Customer for notice purposes and all other communications from the Transmission Provider. All payments, indicia of insurance, and indicia of security to be provided by the Interconnection Customer or Original Interconnection Customer to the Transmission Provider pursuant to this SLGIA shall be provided only by the Manager.

Any invoices or refunds due to the Interconnection Customer or the Original Interconnection Customer by the Transmission Provider shall be made only to the Manager on behalf of Interconnection Customer or the Original Interconnection Customer. The Manager shall bear all responsibility for disbursing any refunds and disseminating any invoices, notices, or other communications and for facilitating communications between and among the Interconnection Customer or the Original Interconnection Customer with respect to this SLGIA and the

Original QFLGIA, and the Interconnection Customer or the Original Interconnection Customer hereby waives any right to individual invoice, notice or communication from the Transmission Provider.

The Transmission Provider will not be obligated to act on any notice, instruction, or other communication from Interconnection Customer or the Original Interconnection Customer (except to the extent that the Interconnection Customer or the Original Interconnection Customer is acting as the Manager). The Manager's actions and representations to the Transmission Provider shall be binding upon the Interconnection Customer and Original Interconnection Customer. The Interconnection Customer and the Original Interconnection Customer shall be jointly and severally liable and responsible to Transmission Provider for the Manager's actions taken in connection with this SLGIA and the Original QFLGIA.

Exhibit 1 to Appendix A to SLGIA

One-Line Diagram

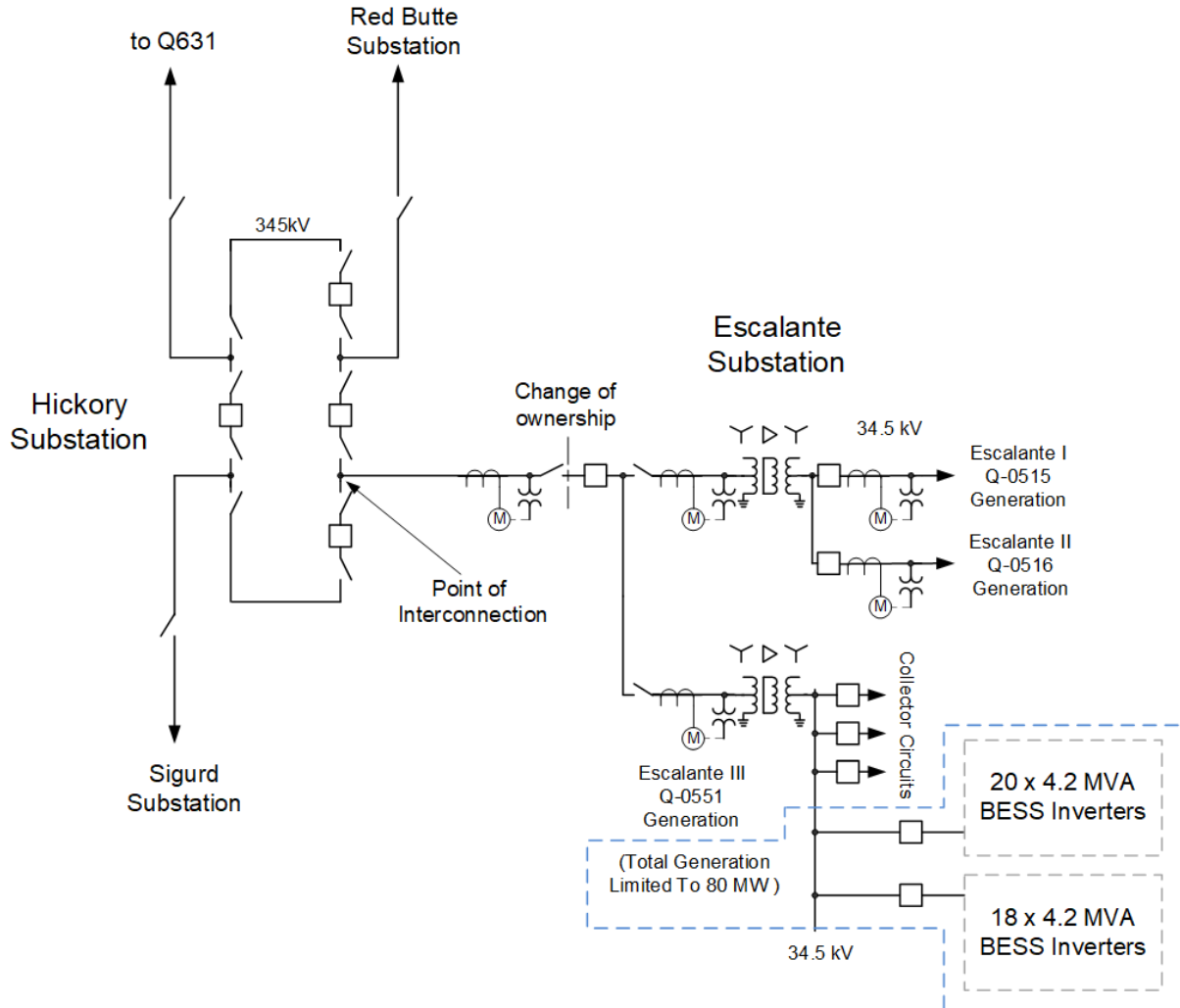


Exhibit 1 to Appendix B to SLGIA

Scope of Work

Generating Facility Requirements

The following outlines the design, procurement, construction, installation, and ownership of equipment at the Interconnection Customer's Generation Facility.

INTERCONNECTION CUSTOMER TO BE RESPONSIBLE FOR

- Procure all necessary permits, lands, rights of way and easements required for the construction and continued maintenance of the Interconnection Customer's Generating Facility and collector substation.
- Design, procure, construct, own and maintain the Interconnection Customer's Generating Facility and associated collector substation.
- Design the Generating Facility with reactive power capabilities necessary to operate within the full power factor range of 0.95 leading to 0.95 lagging as measured at the high side of the Interconnection Customer's GSU transformer. This power factor range shall be dynamic and can be met using a combination of the inherent dynamic reactive power capability of the generator or inverter, dynamic reactive power devices and static reactive power devices to make up for losses.
- Design the generating facility such that it can provide positive reactive support (i.e., supply reactive power to the system) immediately following the removal of a fault or other transient low voltage perturbations or install dynamic voltage support equipment. These additional dynamic reactive devices shall have correct protection settings such that the devices will remain on line and active during and immediately following a fault event.
- Operate the Generating Facility to the voltage set point to be provided by the Transmission Provider.
- Equip the Generating Facility with automatic voltage-control equipment and operate with the voltage regulation control mode enabled unless

explicitly authorized to operate another control mode by the Transmission Provider.

- Install, maintain and operate a functioning governor or equivalent controls to ensure primary frequency capability as required under Federal Energy Regulatory Commission ("FERC") Order 842.
- Operate the Generating Facility so as to maintain the voltage at the Point of Interconnection, or other designated point as deemed appropriate by Transmission Provider, at a voltage schedule to be provided by the Transmission Provider following testing. Voltage will typically be required to operate between 1.00 and 1.04 per unit.
- Operate the Generating Facility with a voltage droop.
- Have any Transmission Provider required studies, such as a voltage coordination study, performed and provide results to Transmission Provider. Any additional requirements identified in these studies will be the responsibility of the Interconnection Customer.
- Meet the FERC and WECC low voltage ride-through requirements as specified in the interconnection agreement.
- Provide test results to the Transmission Provider verifying that the inverters for this Project have been programmed to meet all PRC-024 requirements rather than manufacturer IEEE distribution standards.
- Provide the Transmission Provider the manufacturer Electromagnetic Transient Modeling ("EMT") model a minimum of 180 days prior to Commercial Operation.
- Provide the Transmission Provider a standard model from the WECC Approved Dynamic Model Library.
- Design the Generating Facility control system such that it can receive an analog output from the Transmission Provider for setpoint control and provide an analog input back to the Transmission Provider on the status of the setpoint.
- Provide the following data points from the collector substation via hardware to the

collector substation RTU. Please note that these points are based on the most recent design information provided by the Interconnection Customer and could change based on final design:

- From the Interconnection Customer collector substation:

Analogs:

- 34.5 kV Real power A
- 34.5 kV Reactive power A
- 34.5 kV Real power B
- 34.5 kV Reactive power B
- 34.5 kV Real power C
- 34.5 kV Reactive power C
- 34.5 kV Real power D
- 34.5 kV Reactive power D
- 34.5 kV Real power E
- 34.5 kV Reactive power E
- 34.5 kV Real power F
- 34.5 kV Reactive power F
- Global Horizontal Irradiance (GHI)
- Average Plant Atmospheric Pressure (Bar)
- Average Plant Temperature (Celsius)
- Max Generator Limit MW (one set point control and feedback)
- Potential Power MW
- BESS current energy capacity (MWh)
- BESS current energy capacity (%)
- BESS current max power output capacity (%)
- BESS cycles or health (cycle count or % health)

Status:

- 34.5 kV breaker A
 - 34.5 kV breaker B
 - 34.5 kV breaker C
 - 34.5 kV breaker D
 - 34.5 kV breaker E
 - 34.5 kV breaker F
- Provide a separate graded, grounded and fenced area along the perimeter of the Interconnection Customer's collector substation for the Transmission Provider to install a control building. The site will share a fence and ground grid with the Interconnection Customer collector substation and have separate, unencumbered access for the Transmission Provider. Fencing, gates and road access shall

meet Transmission Provider standards. The Interconnection Customer shall provide a Transmission Provider approved easement for its control building.

- Perform a CDEGS grounding analysis for both the collector substation site and the Transmission Provider control building site and provide the results to the Transmission Provider.
- Provide permanent AC power to the Transmission Provider's control building.
- Procure and install Transmission Provider approved structures for the Transmission Provider's 34.5 kV instrument transformers, including all hardware for a complete dead-end assembly to and from the instrument transformers. The installation location of the structures shall be coordinated with the Transmission Provider.
- Install all Transmission Provider provided instrument transformers.
- Install complete conduit and the control cable, provided by the Transmission Provider, from the Transmission Provider's collector substation control building.
- Procure, install, own and maintain instrument transformer disconnect switches on each side of the Transmission Provider's instrument transformers.
- Provide Transmission Provider unfettered and maintained access to all of the Transmission Provider's instrument transformers and associated equipment. Provide the Transmission Provider easements for all Transmission Provider owned equipment within the shared collector substation.
- Establish permanent station retail service with the Transmission Provider's retail business unit for power that will flow from the Transmission Provider's system when the Project is not generating.
- Provide any construction or backup retail service necessary for the Project.

TRANSMISSION PROVIDER TO BE RESPONSIBLE FOR

- Provide the Interconnection Customer the designated point at which the voltage is to be maintained and the associated voltage schedule.
- Identify any necessary studies that the Interconnection Customer must have performed.
- Provide the Interconnection Customer the standards for the structures on which the Transmission Provider's instrument transformers will be installed.
- Procure five sets of 34.5 kV instrument transformers. Provide to Interconnection Customer and coordinate the installation.
- Procure all conduit and control cable for all Transmission Provider instrument transformers and provide to Interconnection Customer. Coordinate with the Interconnection Customer on the installation of control cable from the Transmission Provider's instrument transformers to the Transmission Provider's collector substation control building.
- Procure, install, own and maintain at the Interconnection Customer's expense twelve sets of 34.5 kV metering equipment including metering panels, primary and secondary revenue quality meters, test switches, junction boxes and secondary metering wire.
- Procure and install the required communications equipment to establish an Ethernet connection for retail sales and generation accounting via the MV-90 translation system.

Point of Interconnection

The following outlines the design, procurement, construction, installation, and ownership of equipment at the Point of Interconnection.

TRANSMISSION PROVIDER TO BE RESPONSIBLE FOR

- Review and modify relay settings as necessary to account for the addition of the Interconnection Customer's Generating Facility.

Other

The following outlines the design, procurement, construction, installation, and ownership of equipment past the Point of Interconnection.

TRANSMISSION PROVIDER TO BE RESPONSIBLE FOR

- System Operations Centers
 - Update databases to include the Interconnection Customer's Generating Facility and associated Interconnection Facilities.