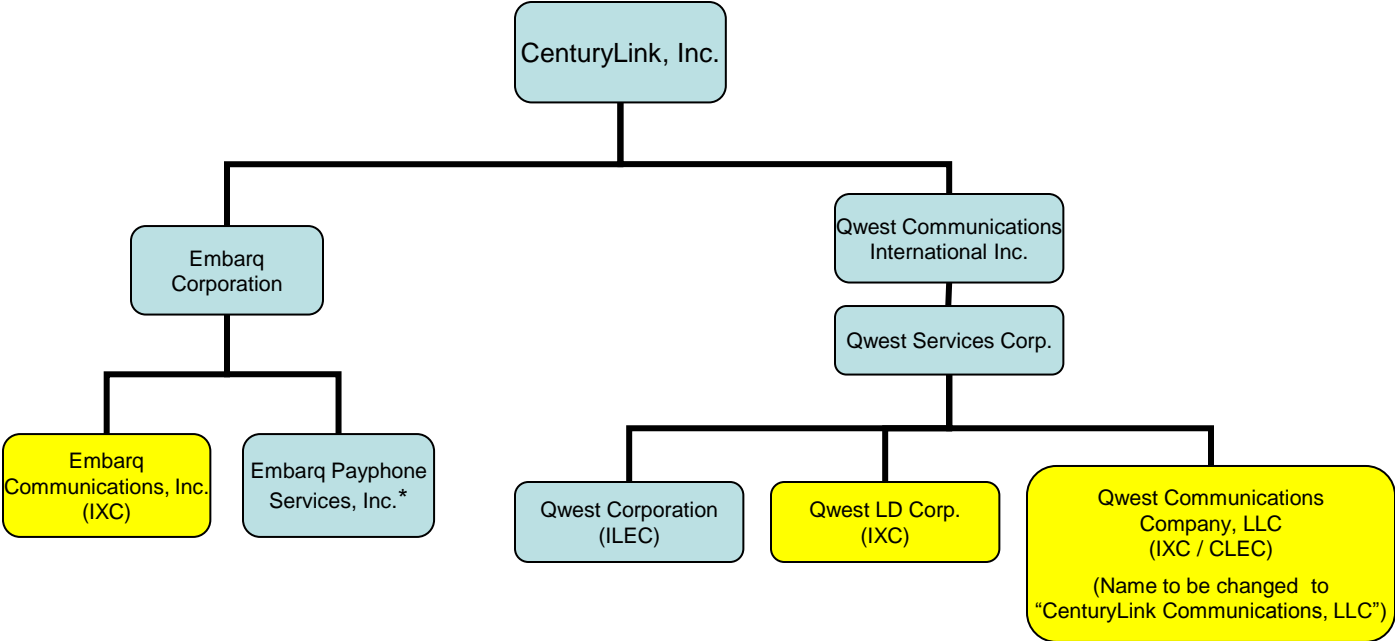


UTAH
Organizational Structure Diagrams

Entities Prior to Corporate IXC / CLEC Restructuring



Highlighted entities subject to the proposed corporate restructuring.

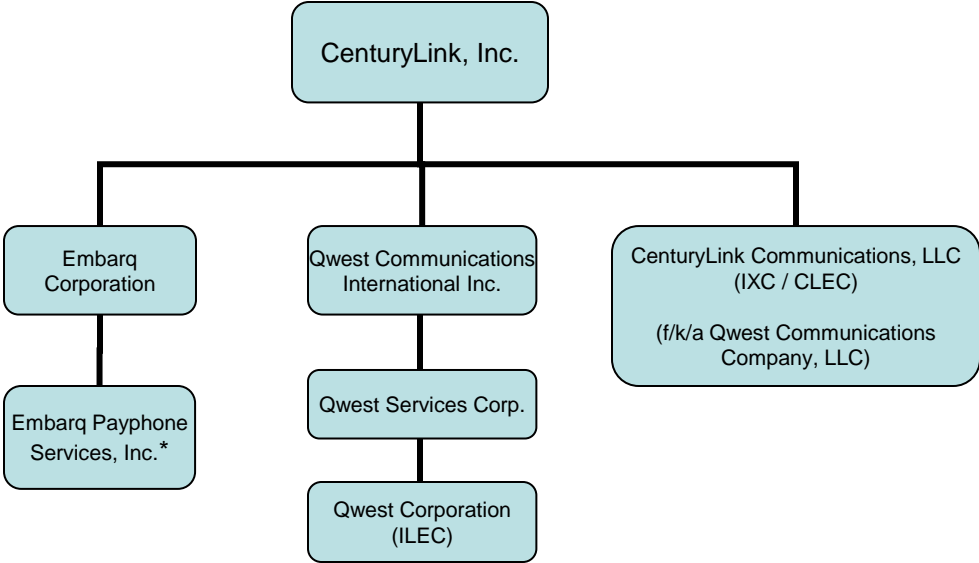
The ILEC subsidiaries of CenturyLink, Inc. are not impacted by this proposed transaction. The ILECs are merely identified on the organizational diagram for illustrative purposes only.

Other CenturyLink, Inc. subsidiaries operating outside this state, which are impacted by the proposed transaction, are not reflected on this organizational diagram.

*In process of name change to CenturyLink Public Communications, Inc.

UTAH
Organizational Structure Diagrams

Entities After Corporate IXC / CLEC Restructuring



The ILEC subsidiaries of CenturyLink, Inc. are not impacted by this proposed transaction. The ILECs are merely identified on the organizational diagram for illustrative purposes only.

Other CenturyLink, Inc. subsidiaries operating outside this state, which are impacted by the proposed transaction, are not reflected on this organizational diagram.

*In process of name change to CenturyLink Public Communications, Inc.