

**Qwest Corporation d/b/a CenturyLink QC
PRICE LIST**

(T)

**PRIVATE LINE TRANSPORT
SERVICES
UTAH**

**SECTION 4
Page 6
Release 2**

Issued: 8-24-2020
A.L. 2020-P04

Effective: 9-1-2020

4. ORDER MODIFICATIONS AND MISCELLANEOUS CHARGES

4.1 GENERAL

4.1.3 CANCELLATION OF APPLICATION FOR SERVICE (Cont'd)

E. The Critical Dates monitored by the Company are as follows:

	APP %	DLRD %	PTD %	DD %	
• Low Speed Data[3]	13	44	77	[1]	(C)
• Voice Grade[3]	13	44	77	[1]	(C)
• Audio[3]	13	44	77	[1]	(C)
• Foreign Exchange	13	44	77	[1]	
• Foreign Central Office	13	44	77	[1]	
• Exchange Service Extensions[2]	13	44	77	[1]	
• Telephone Answering Service[2]	13	44	77	[1]	
• Digital Data Service[3]	13	44	77	[1]	(C)

[1] Minimum billing period charges and 100% of the nonrecurring charges apply when an order or part of an order is cancelled on or after the original Service Date.

[2] Critical Dates applicable only when provisioned on an interoffice basis.

[3] **Effective September 1, 2020, Low Speed Data, Voice Grade, Audio and Digital Data Services are grandfathered. Availability to current customers is limited to circuits in service at existing locations.**

(N)
|
(N)

Issued: 8-24-2020
A.L. 2020-P04

Effective: 9-1-2020

4. ORDER MODIFICATIONS AND MISCELLANEOUS CHARGES

4.5 POWER PROTECTION FOR HIGH VOLTAGE ENVIRONMENTS - GRANDFATHERED

(C)

Effective September 1, 2020, Power Protection for High Voltage Environments is grandfathered. Availability to current customers is limited to lines in service at existing locations.

(N)

|

(N)

A. Description[1]

1. Company services provided on facilities that extend into a high voltage environment, i.e., electric power generating, switching and distributing locations, require high voltage protection whenever hazardous voltages of 1000V peak-asymmetrical or greater appear on those facilities due to Ground Potential Rise (GPR) and/or induction caused by faults in electric power system(s) located on the customer's premises. The high voltage protection may be provided by the Company as specified in this Price List, or the customer may elect to provide the high voltage protection. The high voltage protection is designed to isolate or neutralize the hazardous voltages. The protection objectives on Company services and facilities at these locations are as follows:
 - To minimize electrical hazards to personnel engaged in construction, operation, maintenance and use of telecommunications service.
 - To limit electrical damage to telecommunications equipment, cable and wire facilities.
 - To provide the required service continuity and integrity of telecommunications transmission as specified by the customer with the approval of the Company.
2. This offering requires high voltage protection at the customer's premises whenever the fault-produced GPR/induction equals or exceeds 1000V peak-asymmetrical. High voltage protection may also be required at the Company Central Office.
3. Information pertaining to the technical specifications and compatible channel interfaces is set forth in the Technical Publications listed under the Reference to Technical Publications preceding.

Qwest Corporation d/b/a CenturyLink QC
PRICE LIST

(T)

**PRIVATE LINE TRANSPORT
SERVICES
UTAH**

SECTION 5
Page 1
Release 2

Issued: 8-24-2020
A.L. 2020-P04

Effective: 9-1-2020

5. SERVICES

5.1 GENERAL

Private Line Transport provides a transmission path between customer designated premises or customer designated premises and a Serving Wire Center. Company Centrex CO-like switches are considered to be customer designated premises for purposes of administering and providing Private Line Transport.

5.1.1 SERVICE TYPES

There are several types of services used to provide Private Line Transport. Each type has its own characteristics. All are subdivided by one or more of the following:

- Transmission specifications
- Bandwidth
- Speed (i.e., bit rate)

Customers can order a basic channel and select from a list of available transmission performance and channel interfaces, those that they desire to meet specific communications requirements.

For purposes of ordering channels, each has been identified as a type of Private Line Transport. However, such identification is not intended to limit a customer's use of the channel nor to imply that the channel is limited to a particular use.

Following is a brief description of each type of service:

- Low Speed Data**[1]** (C)

A channel for the transmission of low speed loop status signals of up to 150 baud and for the transmission of McCulloh type alarm signals

- Voice Grade**[1]** (C)

A channel for the transmission of analog signals within an approximate bandwidth of 300-3000 Hz.

[1] Effective September 1, 2020, this service is grandfathered. Availability to current customers is limited to circuits in service at existing locations. (N)
(N)

Qwest Corporation d/b/a CenturyLink QC
PRICE LIST

(T)

**PRIVATE LINE TRANSPORT
SERVICES
UTAH**

**SECTION 5
Page 2
Release 2**

Issued: 8-24-2020
A.L. 2020-P04

Effective: 9-1-2020

5. SERVICES

5.1 GENERAL

5.1.1 SERVICE TYPES (Cont'd)

- Audio[1] (C)

A channel for the transmission of audio signals. The nominal frequency bandwidths are from 200 to 3,500 Hz, from 100 to 5,000 Hz, from 50 to 8,000 Hz or from 50 to 15,000 Hz. Audio multipoint private line channels are specially provided for the closed circuit (nonbroadcast) transmission of voice and music in one direction only.
- Digital Data Service[1] (C)

A channel for the digital transmission of synchronous serial data at rates of 2.4, 4.8, 9.6, 19.2 and 56 kbit/s.
- Foreign Exchange (FX)

Provides dial tone from a wire center in an exchange from which the customer is not normally served.
- Foreign Central Office (FCO)

Provides dial tone from a serving wire center to a remote wire center in the same exchange.
- Exchange Service Extension (ESE)

Channel which extends dial tone from a customer's serving wire center to a noncontinuous property station location.
- Telephone Answering Service (TAS)

Channel from a patron's central office to the Answering Bureau.

[1] Effective September 1, 2020, this service is grandfathered. Availability to current customers is limited to circuits in service at existing locations. (N)
(N)

Issued: 8-24-2020
A.L. 2020-P04

Effective: 9-1-2020

5. SERVICES

5.1 GENERAL

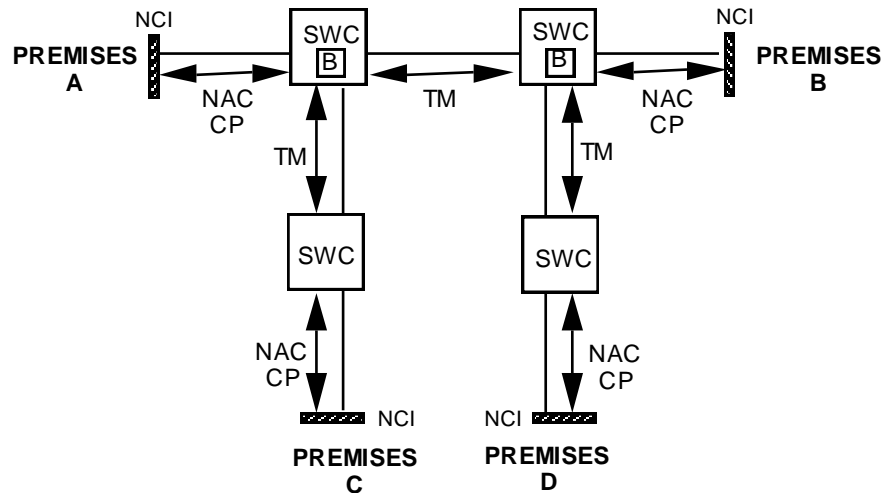
5.1.3 SERVICE CONFIGURATIONS

B. Multipoint Service (Cont'd)

4. Multipoint Analog Service[1]

(C)

The following diagram depicts a service connecting four customer designated premises, each served by a different SWC. The location of the Network Channel Interface (NCI) is noted on the diagram.



- Network Access Channel (NAC) (4)
- Transport Mileage (TM) (3 sections, each from the appropriate mileage band)
- Channel Performance (CP) (4)
- Optional Features and Functions - bridging (B) (6 applicable, one per port)

[1] Effective September 1, 2020, this service is grandfathered. Availability to current customers is limited to circuits in service at existing locations.

(N)
(N)

Issued: 8-24-2020
 A.L. 2020-P04

Effective: 9-1-2020

5. SERVICES

5.1 GENERAL

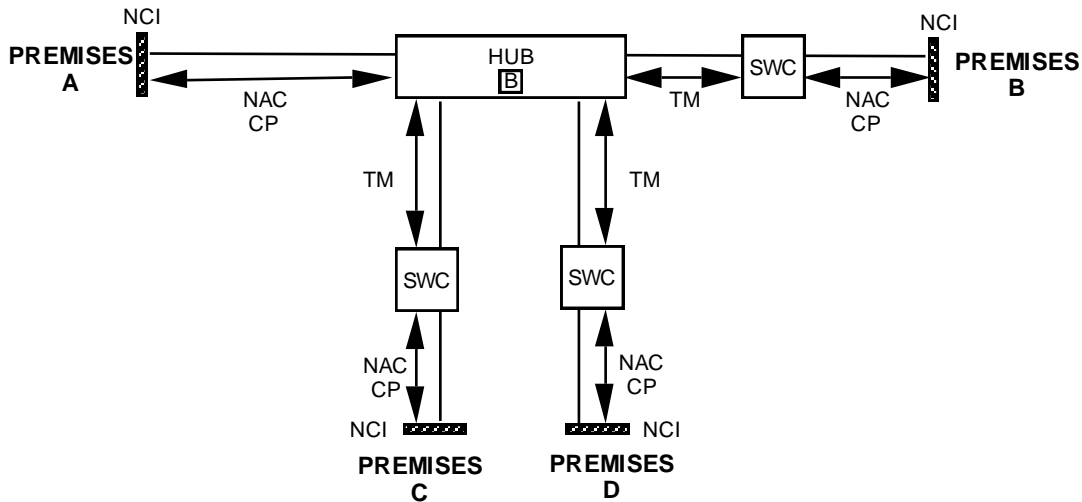
5.1.3 SERVICE CONFIGURATIONS

B. Multipoint Service (Cont'd)

5. Multipoint Service for Digital Data[1]

(C)

The following diagram depicts a Digital Data service connecting four customer designated premises, each served by a different SWC. The location of the Network Channel Interface (NCI) is noted on the diagram.



- Network Access Channel (NAC) (4)
- Transport Mileage (TM) (3 sections, each from the appropriate mileage band)
- Channel Performance (CP) (4)
- Optional Features and Functions - bridging (B) (4 applicable, one per port)

(N)
 (N)

[1] Effective September 1, 2020, this service is grandfathered. Availability to current customers is limited to circuits in service at existing locations.

Qwest Corporation d/b/a CenturyLink QC
PRICE LIST

(T)

**PRIVATE LINE TRANSPORT
SERVICES
UTAH**

**SECTION 5
Page 14
Release 2**

Issued: 8-24-2020
A.L. 2020-P04

Effective: 9-1-2020

5. SERVICES

5.1 GENERAL

5.1.4 RATE STABILIZED AND DISCOUNT PRICING

B. Discount Pricing Terms and Conditions (Cont'd)

10. Analog[1] Discount Schedule

(C)

The following discount schedule applies to only the following rate elements; Channel Performance, Transport Mileage, and Optional Features and Functions. The discounts are additive and will apply up to a maximum of 15%. Discounts may be less than those indicated to assure that rates are above cost.

	DISCOUNT	
• Length of Agreement		
12 through 35 months	3%	
36 through 59 months	10%	
60 through 84 months	15%	
(Plus)		
• Quantity of Circuits		
0 through 20	[2]	(T)
Over 20	5%	

[1] Effective September 1, 2020, Analog Services are grandfathered. Availability to current customers is limited to circuits in service at existing locations. (N)
(N)

[2] Not eligible (T)

Issued: 8-24-2020
A.L. 2020-P04

Effective: 9-1-2020

5. SERVICES

5.2 SERVICE DESCRIPTIONS

5.2.1 LOW-SPEED DATA SERVICE - GRANDFATHERED

(C)

Effective September 1, 2020, Low Speed Data Services are grandfathered. Availability to current customers is limited to circuits in service at existing locations.

(N)

|

(N)

A. Basic Circuit Description

These unconditioned channels are capable of transmitting low speed varying signals at rates up to 30 baud or binary signals at rates of 0-150 baud. Low-Speed Data Channels are furnished and rated from a POT to a POT or bridging location to a POT. These channels are furnished on a two-point or multipoint basis.

Information pertaining to the technical specifications and compatible channel interfaces is set forth in the Technical Publications listed under the Reference to Technical Publications preceding.

B. End-Link or Mid-Link Application

This application is intended for customers requiring Private Line Transport as part of an overall circuit, extending beyond the LATA. Several Channel Performances are available to facilitate compatibility and a mechanized Design Layout Report (DLR) is available to the customer to assist in their overall design. The network channel interface between the Company facility and the remainder of the overall circuit is referred to as the Mid User-POT (Point of Termination). The network channel interface that is at the terminating end of the overall circuit is referred to as the End User-POT. Following are the service categories that normally apply to the End-link or Mid-link application.

1. Service Categories

- MT3 - A circuit suitable for the transmission of 60 Hz control signals and dc current. This service is provided over metallic facilities. This service is provided on a two-point or multipoint basis. The transmission interfaces are provided on a two-wire only basis. Available on an intra office basis only where facilities and operations permit.

Qwest Corporation d/b/a CenturyLink QC
PRICE LIST

(T)

**PRIVATE LINE TRANSPORT
SERVICES
UTAH**

SECTION 5
Page 21
Release 2

Issued: 8-24-2020
A.L. 2020-P04

Effective: 9-1-2020

5. SERVICES

5.2 SERVICE DESCRIPTIONS (Cont'd)

5.2.2 VOICE GRADE SERVICE – GRANDFATHERED

(C)

Effective September 1, 2020, Voice Grade Services are grandfathered. Availability to current customers is limited to circuits in service at existing locations.

(N)

|

(N)

A. Basic Description

Voice Grade circuits are provided with a bandwidth of 300-3000 Hz designed to meet certain specifications based on Company standards of measurement for voice transmission, data transmission, remote metering, telephoto and miscellaneous signaling purposes. Such identification is not intended to limit a customer's use of the circuits nor to imply that the circuit is limited to a particular use. These circuits are not suitable for the transmission of direct current pulses. The number of stations that may be connected and the distance over which transmission is possible may be limited by operating and transmission factors. Circuits are furnished as either two-wire or four-wire on a two-point or multipoint basis.

Information pertaining to the technical specifications and compatible channel interfaces is set forth in the Technical Publications listed under the Reference to Technical Publications preceding.

B. End-Link or Mid-Link Application

This application is intended for customers requiring Private Line Transport as part of an overall circuit, extending beyond the LATA. Several Channel Performances are available to facilitate compatibility and a mechanized Design Layout Report (DLR) is available to the customer to assist in their overall design. The network channel interface between the Company facility and the remainder of the overall circuit is referred to as the Mid User-POT (Point of Termination). The network channel interface that is at the terminating end of the overall circuit is referred to as the End User-POT. Following are the service categories that normally apply to the End-link or Mid-link application.

1. Service Categories

- VG2 - Suitable for use as a voice two-point or multipoint private line and switched special service circuit. The transmission interfaces are either two-wire or four-wire.
- VG3 - Suitable for use as a two-point voice trunk-type circuit. The transmission interfaces are provided as either two-wire or four-wire.

Qwest Corporation d/b/a CenturyLink QC
PRICE LIST

(T)

**PRIVATE LINE TRANSPORT
SERVICES
UTAH**

SECTION 5
Page 29
Release 3

Issued: 8-24-2020
(A.L. 2020-P04)

Effective: 9-1-2020

5. SERVICES

5.2 SERVICE DESCRIPTIONS (Cont'd)

5.2.5 AUDIO SERVICE – GRANDFATHERED

(C)

Effective September 1, 2020, Audio Services are grandfathered. Availability to current customers is limited to circuits in service at existing locations.

(N)

|

(N)

A. Basic Description

Audio channels are provided on an intraexchange basis only, for the transmission of non-broadcast program signals on a two-point or multipoint basis. The channels are furnished on a monthly basis for closed circuit (non-broadcast) transmission of voice and/or music signals in one direction only.

Audio channels are provided between customer designated premises or between customer designated premises and a Company wire center. The service arrangement is limited to the Audio service category and may not be combined with other Private Line Transport classes of service. The basic rate structure consists of the Network Access Channel, Channel Performance appropriate to the transmission level required and, if applicable, Transport Mileage from the appropriate mileage band. Service for broadcast audio purposes may be found in CenturyLink Operating Companies F.C.C. No. 11.

Information pertaining to the technical specifications and compatible channel interfaces is set forth in the Technical Publications listed under the Reference to Technical Publications preceding.

B. End-Link or Mid-Link Application

This application is intended for customers requiring Private Line Transport as part of an overall circuit, extending beyond the LATA. Several Channel Performances are available to facilitate compatibility and a mechanized Design Layout Report (DLR) is available to the customer to assist in their overall design. The network channel interface between the Company facility and the remainder of the overall circuit is referred to as the Mid User-POT (Point of Termination). The network channel interface that is at the terminating end of the overall circuit is referred to as the End User-POT. Following are the service categories that normally apply to the End-link or Mid-link application.

Issued: 8-24-2020
A.L. 2020-P04

Effective: 9-1-2020

5. SERVICES

5.2 SERVICE DESCRIPTIONS (Cont'd)

5.2.6 DIGITAL DATA SERVICE – GRANDFATHERED

(C)

Effective September 1, 2020, Digital Data Services are grandfathered. Availability to current customers is limited to circuits in service at existing locations.

(N)

|

(N)

A. Basic Description

Digital Data Service (DDS) is provided on a two-point or multipoint, 4-wire basis, for 2.4, 4.8, 9.6, 19.2 or 56 kbit/s transmission of synchronous serial data. Digital Data Service is also provided at 64 kbit/s on a two-point only basis. Subrated DS0 Service is also available. The actual bit rate is a function of the channel interface selected by the customer where applicable. The circuit provides a synchronous service, with timing provided by the Company through the Company's facilities, to the customer in the received bit stream. DDS circuits are provided between customer designated premises, between a customer designated premises and a Company Hub or designated digital wire center, or between Company Hubs or designated digital wire centers.

A Subrated DS0 Service (HCO) transports multiple subrate digital data channels, i.e., twenty 2.4, ten 4.8, or five 9.6 kbit/s, between Digital Data Hubs.

When a 64 kbit/s DDS circuit is multiplexed onto a DS1 Service, the DS1 Service must be optioned for Clear Channel Capability.

Information pertaining to the technical specifications for this service is found in 1.9, Reference to Technical Publications.

B. End-Link Or Mid-Link Application

This application is intended for customers requiring Private Line Transport as part of an overall circuit, extending beyond the LATA. Several Channel Performances are available to facilitate compatibility and a mechanized Design Layout Report (DLR) is available to the customer to assist in their overall design. The network channel interface between the Company facility and the remainder of the overall circuit is referred to as the Mid User-POT (Point of Termination). The network channel interface that is at the terminating end of the overall circuit is referred to as the End User-POT. Following are the service categories that normally apply to the End link or Mid-link application.

Qwest Corporation d/b/a CenturyLink QC
PRICE LIST

(T)

**PRIVATE LINE TRANSPORT
SERVICES
UTAH**

**SECTION 5
Page 57
Release 4**

Issued: 8-24-2020
(A.L. 2020-P04)

Effective: 9-1-2020

5. SERVICES

5.3 RATES AND CHARGES

Effective September 1, 2020, Low Speed and Digital Data, Voice Grade and Audio Services are grandfathered. Availability to current customers is limited to circuits in service at existing locations.

(N)
|
(N)

5.3.1 SERVICE PROVISIONING CHARGE

	NONRECURRING CHARGE
A. Applicable to Low Speed Data, Voice Grade, Audio, Foreign Exchange, Foreign Central Office, Exchange Service Extensions, and Telephone Answering Service	
• Initial	\$325.00
• Subsequent	175.00
B. Applicable to Digital Data Service	
• Initial	240.00
• Subsequent	121.00

5.3.2 NETWORK ACCESS CHANNEL (NAC)

	NONRECURRING CHARGE	MONTHLY RATE
• Per termination		
- Two-wire[1]	-	\$23.00
- Four-wire[2]	-	46.00

[1] Not applicable to Digital Data Service.

[2] Not Applicable to Audio, Foreign Exchange, Foreign Central Office, Exchange Service Extensions and Telephone Answering Service.

**Qwest Corporation d/b/a CenturyLink QC
PRICE LIST**

(T)

**PRIVATE LINE TRANSPORT
SERVICES
UTAH**

**SECTION 5
Page 58
Release 4**

**Issued: 8-24-2020
(A.L. 2020-P04)**

Effective: 9-1-2020

5. SERVICES

5.3 RATES AND CHARGES (Cont'd)

5.3.3 CHANNEL PERFORMANCE (CP)

Effective September 1, 2020, Low Speed and Digital Data, Voice Grade and Audio Services are grandfathered. Availability to current customers is limited to circuits in service at existing locations.

(N)
|
(N)

	NONRECURRING CHARGE	MONTHLY RATE	
A. Low Speed Data Service - GRANDFATHERED			(C)
1. End-Link or Mid-Link, per termination			
• MT3	\$82.00	\$ 3.55	
• Custom	ICB	ICB	
2. End-to-End, per termination			
• LS31 Control Status Channel	82.00	15.00	
• LS31 McCulloh Alarm-Type	82.00	9.00	
• LS31 DC Channel	82.00	3.84	
• LS31 Telegraph			
- 0 to 75 baud	82.00	17.00	
- 0 to 150 baud	82.00	17.28	
• Custom	ICB	ICB	
B. Voice Grade Service - GRANDFATHERED			(C)
1. End-Link or Mid-Link, per termination			
• Voice Grade 2			
- No Signaling	96.00	7.50	
- Loop-Start Signaling			
- Type - LA	96.00	13.00	
- Type - LB	96.00	12.50	
- Type - LC	30.00	10.00	
- Type - LO	96.00	13.50	
- Type - LS	30.00	12.50	
- SF Signaling	96.00	10.00	
- Auto ringdown	96.00	14.50	

Qwest Corporation d/b/a CenturyLink QC
PRICE LIST

(T)

**PRIVATE LINE TRANSPORT
SERVICES
UTAH**

SECTION 5
Page 61
Release 3

Issued: 8-24-2020
(A.L. 2020-P04)

Effective: 9-1-2020

5. SERVICES

5.3 RATES AND CHARGES

5.3.3 CHANNEL PERFORMANCE (CP) (Cont'd)

	NONRECURRING CHARGE	MONTHLY RATE	
C. Audio Service - GRANDFATHERED			(C)
1. End-Link or Mid-Link, per termination			
• AP1 (3.5 kHz)	\$115.00	\$ 8.00	
• AP2 (5.0 kHz)	115.00	16.32	
• AP3 (8.0 kHz)	115.00	21.12	
• AP4 (15.0 kHz)	115.00	26.88	
• Custom	ICB	ICB	
2. End-to-End, per termination			
• AP31 (3.0 kHz) non-equalized	115.00	19.20	
• AP32 (5.0 kHz) equalized	115.00	32.64	
• AP33 (8.0 kHz) equalized	115.00	42.24	
• AP34 (15.0 kHz) equalized	30.00	53.76	
• Custom	ICB	ICB	

Qwest Corporation d/b/a CenturyLink QC
PRICE LIST

(T)

**PRIVATE LINE TRANSPORT
SERVICES
UTAH**

SECTION 5
Page 63
Release 3

Issued: 8-24-2020
(A.L. 2020-P04)

Effective: 9-1-2020

5. SERVICES

5.3 RATES AND CHARGES

5.3.3 CHANNEL PERFORMANCE (CP) (Cont'd)

	NONRECURRING CHARGE	MONTHLY RATE	
H. Digital Data Service - GRANDFATHERED			(C)
1. End-Link or Mid-Link, per termination			
• 2.4 kbps	\$146.00	\$33.60	
• 4.8 kbps	146.00	36.00	
• 9.6 kbps	146.00	38.40	
• 19.2 kbps	146.00	48.00	
• 56 kbps	146.00	57.60	
• 64 kbps	146.00	57.60	
• Custom	ICB	ICB	
2. End-to-End, per termination			
• 2.4 kbps	146.00	33.60	
• 4.8 kbps	146.00	36.00	
• 9.6 kbps	146.00	38.40	
• 19.2 kbps	146.00	48.00	
• 56 kbps	146.00	57.60	
• 64 kbps	146.00	57.60	
• Custom	ICB	ICB	

Qwest Corporation d/b/a CenturyLink QC
PRICE LIST

(T)

**PRIVATE LINE TRANSPORT
SERVICES
UTAH**

SECTION 5
Page 64
Release 4

Issued: 8-24-2020
(A.L. 2020-P04)

Effective: 9-1-2020

5. SERVICES

5.3 RATES AND CHARGES (Cont'd)

5.3.4 TRANSPORT MILEAGE (TM)

Effective September 1, 2020, Low Speed, and Digital Data, Voice Grade and Audio Services are grandfathered. Availability to current customers is limited to circuits in service at existing locations.

(N)
|
(N)

	NONRECURRING CHARGE	MONTHLY RATE
A. Applicable to Low Speed Data, Voice Grade, Audio (AP1 and AP31), and Telephone Answering Service		
Mileage Bands		
• Over 0 to 8		
- Fixed	\$67.00	\$30.00
- Per mile	—	1.55
• Over 8 to 25		
- Fixed	67.00	30.00
- Per mile	—	1.55
• Over 25 to 50		
- Fixed	67.00	30.00
- Per mile	—	1.55
• Over 50		
- Fixed	67.00	30.00
- Per mile	—	1.55

Qwest Corporation d/b/a CenturyLink QC
PRICE LIST

(T)

**PRIVATE LINE TRANSPORT
SERVICES
UTAH**

SECTION 5
Page 65
Release 4

Issued: 8-24-2020
(A.L. 2020-P04)

Effective: 9-1-2020

5. SERVICES

5.3 RATES AND CHARGES

5.3.4 TRANSPORT MILEAGE (TM) (Cont'd)

	NONRECURRING CHARGE	MONTHLY RATE	
B. Applicable to Audio Service (AP2 and AP32)			(C)
- GRANDFATHERED			
Mileage Bands			
• Over 0 to 8			
- Fixed	\$67.00	\$38.40	
- Per mile	—	2.50	
• Over 8 to 25			
- Fixed	67.00	35.00	
- Per mile	—	2.70	
• Over 25 to 50			
- Fixed	67.00	58.56	
- Per mile	—	2.90	
• Over 50			
- Fixed	67.00	68.16	
- Per mile	—	3.10	

Qwest Corporation d/b/a CenturyLink QC
PRICE LIST

(T)

**PRIVATE LINE TRANSPORT
SERVICES
UTAH**

SECTION 5
Page 66
Release 4

Issued: 8-24-2020
(A.L. 2020-P04)

Effective: 9-1-2020

5. SERVICES

5.3 RATES AND CHARGES

5.3.4 TRANSPORT MILEAGE (TM) (Cont'd)

	NONRECURRING CHARGE	MONTHLY RATE	
C. Applicable to Audio Service (AP3 and AP33) - GRANDFATHERED			(C)
Mileage Bands			
• Over 0 to 8			
- Fixed	\$67.00	\$58.00	
- Per mile	-	3.75	
• Over 8 to 25			
- Fixed	67.00	53.00	
- Per mile	-	4.05	
• Over 25 to 50			
- Fixed	67.00	75.84	
- Per mile	-	4.35	
• Over 50			
- Fixed	67.00	74.88	
- Per mile	-	4.65	

Qwest Corporation d/b/a CenturyLink QC
PRICE LIST

(T)

**PRIVATE LINE TRANSPORT
SERVICES
UTAH**

SECTION 5
Page 67
Release 4

Issued: 8-24-2020
(A.L. 2020-P04)

Effective: 9-1-2020

5. SERVICES

5.3 RATES AND CHARGES

5.3.4 TRANSPORT MILEAGE (TM) (Cont'd)

	NONRECURRING CHARGE	MONTHLY RATE
D. Applicable to Audio Service (AP4 and 34) - GRANDFATHERED		
Mileage Bands		
• Over 0 to 8		
- Fixed	\$67.00	\$110.00
- Per mile	—	5.00
• Over 8 to 25		
- Fixed	67.00	105.00
- Per mile	—	5.40
• Over 25 to 50		
- Fixed	67.00	115.20
- Per mile	—	5.80
• Over 50		
- Fixed	67.00	120.00
- Per mile	—	6.20

(C)

**Qwest Corporation d/b/a CenturyLink QC
PRICE LIST**

(T)

**PRIVATE LINE TRANSPORT
SERVICES
UTAH**

**SECTION 5
Page 69
Release 4**

Issued: 8-24-2020
(A.L. 2020-P04)

Effective: 9-1-2020

5. SERVICES

5.3 RATES AND CHARGES

5.3.4 TRANSPORT MILEAGE (TM) (Cont'd)

	NONRECURRING CHARGE	MONTHLY RATE	
F. Applicable to Digital Data Service - GRANDFATHERED			(C)
Mileage Bands			
• Over 0 to 8			
- Fixed	\$53.00	\$38.40	
- Per mile	—	1.55	
• Over 8 to 25			
- Fixed	53.00	38.40	
- Per mile	—	1.55	
• Over 25 to 50			
- Fixed	53.00	38.40	
- Per mile	—	1.55	
• Over 50			
- Fixed	53.00	38.40	
- Per mile	—	1.55	

Qwest Corporation d/b/a CenturyLink QC
PRICE LIST

(T)

**PRIVATE LINE TRANSPORT
SERVICES
UTAH**

SECTION 5
Page 70
Release 4

Issued: 8-24-2020
(A.L. 2020-P04)

Effective: 9-1-2020

5. SERVICES

5.3 RATES AND CHARGES (Cont'd)

5.3.5 OPTIONAL FEATURES AND FUNCTIONS

	NONRECURRING CHARGE	MONTHLY RATE	
A. Low Speed Data Service - GRANDFATHERED			(C)
1. Bridging			
• McCulloh Bridging, per port	\$ 9.00	\$ 2.88	
• Telegraph Bridging, per port			
- 0 to 75 baud	25.00	31.92	
- 0 to 150 baud	20.00	52.50	
• Direct Bridging, per port	20.00	5.00	

**Qwest Corporation d/b/a CenturyLink QC
PRICE LIST**

(T)

**PRIVATE LINE TRANSPORT
SERVICES
UTAH**

**SECTION 5
Page 71
Release 4**

Issued: 8-24-2020
(A.L. 2020-P04)

Effective: 9-1-2020

5. SERVICES

5.3 RATES AND CHARGES

5.3.5 OPTIONAL FEATURES AND FUNCTIONS (Cont'd)

	NONRECURRING CHARGE	MONTHLY RATE
B. Voice Grade Service - GRANDFATHERED		
1. Bridging		
• Resistive Bridging (Voice/Data), per port		
- Two-wire	\$10.00	\$ 8.00
- Four-wire	10.00	8.00
• Bridge Lifter, per port	10.00	0.53
• Split Frequency Bridging, per port		
- Two-wire	10.00	4.20
- Four-wire	10.00	13.15
• Passive Bridging, per port	10.00	7.68
2. Conditioning, per NAC		
• End-to-End Application		
- C1 Conditioning	29.00	1.92
- C2 Conditioning	29.00	1.92
- C4 Conditioning	29.00	3.84
- D1 Conditioning	29.00	1.92

(C)

Qwest Corporation d/b/a CenturyLink QC
PRICE LIST

(T)

**PRIVATE LINE TRANSPORT
SERVICES
UTAH**

SECTION 5
Page 73
Release 3

Issued: 8-24-2020
(A.L. 2020-P04)

Effective: 9-1-2020

5. SERVICES

5.3 RATES AND CHARGES

5.3.5 OPTIONAL FEATURES AND FUNCTIONS (Cont'd)

	NONRECURRING CHARGE	MONTHLY RATE
C. Audio Service- GRANDFATHERED		
1. Bridging, per port		
• AP1/AP31 - 3.5/3.0 kHz	\$7.00	\$5.75
• AP2/AP32 - 5.0 kHz	7.00	5.52
• AP3/AP33 - 8.0 kHz	7.00	5.52
• AP4/AP34 - 15.0 kHz	7.00	5.52
D. Telephone Answering Service		
• Telephone Answering Service with Privacy (Key Arrangements), CO relay, each	\$10.00	\$9.01

(C)

Qwest Corporation d/b/a CenturyLink QC
PRICE LIST

(T)

**PRIVATE LINE TRANSPORT
SERVICES
UTAH**

SECTION 5
Page 74
Release 3

Issued: 8-24-2020
(A.L. 2020-P04)

Effective: 9-1-2020

5. SERVICES

5.3 RATES AND CHARGES

5.3.5 OPTIONAL FEATURES AND FUNCTIONS (Cont'd)

	NONRECURRING CHARGE	MONTHLY RATE	
E. Digital Data Service- GRANDFATHERED			(C)
1. Bridging, per port	\$ 9.00	\$14.40	
2. Secondary Channel, per point of termination[1]	105.00	14.40	
3. Central Office Multiplexing, per arrangement[2]			
• DS0 to Subrates			
- Up to twenty 2.4 kbps services	96.00	86.40	
- Up to ten 4.8 kbps services	86.00	76.80	
- Up to five 9.6 kbps services	77.00	67.20	
4. Central Office Multiplexer to Multiplexer Connecting Arrangement, per arrangement			
• Subrate to Subrate	12.00	9.60	
• Subrate to Subrate with Secondary Channel	12.00	9.60	
• DS0 to DS0	12.00	9.60	
• DS0 to DS0 with Secondary Channel	12.00	9.60	

[1] The nonrecurring charge applies when adding this feature on subsequent order activity only.

[2] The nonrecurring charge applies when the Multiplexer is not installed at the same time as a DDS Network Access Channel.